

ABM VACUUM GENERATOR



- Two stage vacuum generator
- Lightweight and compact
- Integral and external silencer options
- Threaded ports in BSPP and NPSF
- High efficient multi stage technology



ABM		10		NB				
Series	Venturi Nozzle Ø	Body Type						
5	0.5mm	Code	Supply Port	Vacuum Port	Exhaust Type	Port Plate		
10	1.0mm	A	M5	G1/8	Internal Silencer	PBT Body		
20	2.0mm	NA	(10-32UNF)	1/8NPSF		Aluminum (ABM5 & 10)		
30	3.0mm	B	G1/8	G3/8		PBT Body		
		BA				Aluminum		
		NB	1/8NPSF	3/8NPSF	External Silencer	PBT Body		
		NBA				Aluminum		
		C	G1/8	G3/8	External Silencer	PBT Body		
		NC	1/8NPSF	3/8NPSF		PBT Body		

SPECIFICATIONS

Model	Maximum Vacuum	Maximum Vacuum Flow l/min / CFM	Air Consumption @ 4bar / 60psi l/min / CFM
ABM5	-85kPa / 25.5”Hg	37 / 1.3	20 / 0.7
ABM10		75 / 2.7	42 / 1.5
ABM20		150 / 5.3	85 / 3.0
ABM30		220 / 7.8	125 / 4.4

TIME PERFORMANCE (sec/l)

Evacuation time (sec) to different vacuum levels (-kPa)									
Model	Supply Pressure	10	20	30	40	50	60	70	80
ABM5	4.5bar / 66psi	0.11	0.42	0.95	1.66	2.5	3.65	5.25	7.89
ABM10		0.08	0.2	0.44	0.8	1.24	1.8	2.55	3.8
ABM20		0.04	0.12	0.23	0.41	0.65	0.93	1.33	2.03
ABM30		0.03	0.09	0.16	0.27	0.43	0.66	0.95	1.43

Evacuation time (sec) to different vacuum levels (-kPa)									
Model	Supply Pressure	10	20	30	40	50	60	70	80
ABM5	6bar / 90psi	0.13	0.51	1.15	1.93	2.87	4.09	5.84	10.46
ABM10		0.029	0.23	0.53	0.92	1.37	1.95	2.77	4.62
ABM20		0.023	0.15	0.28	0.46	0.71	1.02	1.48	2.55
ABM30		0.015	0.077	0.138	0.308	0.49	0.69	1.02	1.75

TIME PERFORMANCE (sec/ft³)

Evacuation time (sec) to different vacuum levels ("Hg)									
Model	Supply Pressure	3	6	9	12	15	18	21	24
ABM5	4.5bar / 66psi	3.11	11.89	26.90	47.00	70.79	103.35	148.66	223.41
ABM10		2.27	5.66	12.46	22.65	35.11	50.97	72.21	107.60
ABM20		1.13	3.40	6.51	11.61	18.41	26.33	37.66	57.48
ABM30		0.85	2.55	4.53	7.65	12.18	18.69	26.90	40.49

Evacuation time (sec) to different vacuum levels ("Hg)									
Model	Supply Pressure	3	6	9	12	15	18	21	24
ABM5	6bar / 90psi	3.68	14.44	32.56	54.65	81.27	115.81	165.37	296.19
ABM10		0.82	6.51	15.01	26.05	38.79	55.22	78.44	130.82
ABM20		0.65	4.25	7.93	13.03	20.10	28.88	41.91	72.21
ABM30		0.42	2.18	3.91	8.72	13.87	19.54	28.88	49.55

FLOW PERFORMANCE @ 4.5bar/66psi

Model	Vacuum Flow Rates (nl/min) at Different Vacuum Levels (-kPa)									Maximum Vacuum
	0	10	20	30	40	50	60	70	80	
ABM5	35.0	20.5	12.0	10.5	8.5	6.5	4.5	2.5	0.8	-85kPa
ABM10	70.0	40.5	25.0	21.0	18.0	14.0	9.5	5.0	1.3	
ABM20	141.0	77.0	45.0	40.0	30.0	25.0	18.0	12.0	3.0	
ABM30	175.0	105.0	70.0	63.0	53.0	40.0	26.0	14.0	6.5	

Model	Vacuum Flow Rates (CFM) at Different Vacuum Levels ("Hg)									Maximum Vacuum
	0	3	6	9	12	15	18	21	24	
ABM05	1.2	0.7	0.4	0.4	0.3	0.2	0.2	0.1	0.0	26"Hg
ABM10	2.5	1.4	0.9	0.7	0.6	0.5	0.3	0.2	0.0	
ABM20	5.0	2.7	1.6	1.4	1.1	0.9	0.6	0.4	0.1	
ABM30	6.2	3.7	2.5	2.2	1.9	1.4	0.9	0.5	0.2	

FLOW PERFORMANCE @ 6bar/90psi

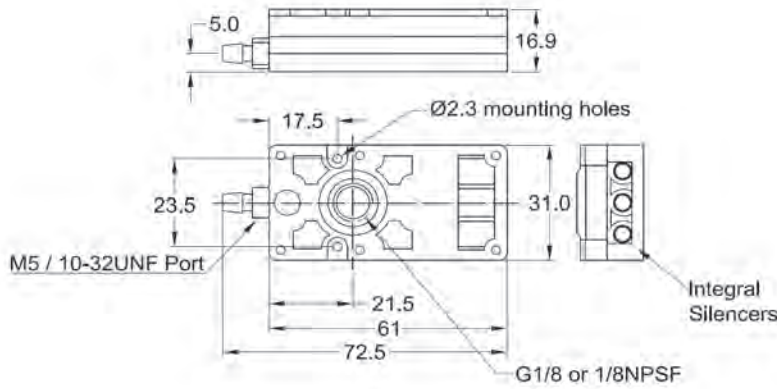
Model	Vacuum Flow Rates (nl/min) at Different Vacuum Levels (-kPa)									Maximum Vacuum
	0	10	20	30	40	50	60	70	80	
ABM05	37.0	25.0	15.5	12.0	8.0	6.0	4.0	2.7	0.6	-85kPa
ABM10	75.0	55.0	27.0	20.0	18.0	12.0	9.0	5.0	2.0	
ABM20	150.0	100.0	55.0	38.0	30.0	24.0	16.0	11.0	3.2	
ABM30	220.0	150.0	81.0	65.0	50.0	38.0	27.0	18.0	5.0	

Model	Vacuum Flow Rates (CFM) at Different Vacuum Levels ("Hg)									Maximum Vacuum
	0	3	6	9	12	15	18	21	24	
ABM05	1.3	0.9	0.5	0.4	0.3	0.2	0.1	0.1	0.0	26"Hg
ABM10	2.7	1.9	1.0	0.7	0.6	0.4	0.3	0.2	0.1	
ABM20	5.3	3.5	1.9	1.3	1.1	0.8	0.6	0.4	0.1	
ABM30	7.8	5.3	2.9	2.3	1.8	1.3	1.0	0.6	0.2	

ABM VACUUM GENERATOR

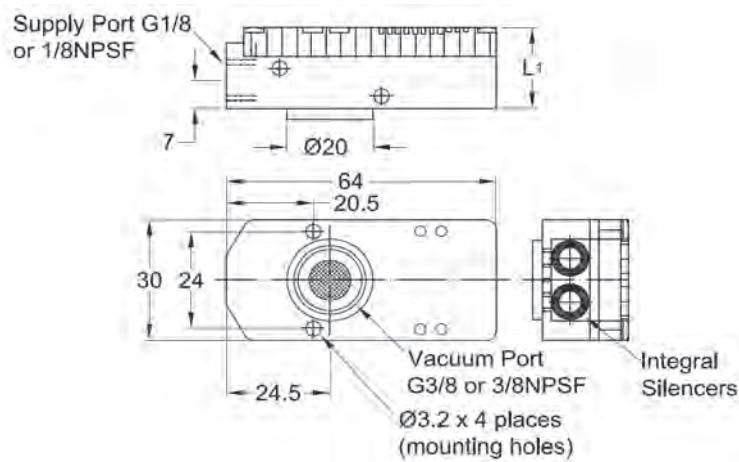


DIMENSIONS (mm)



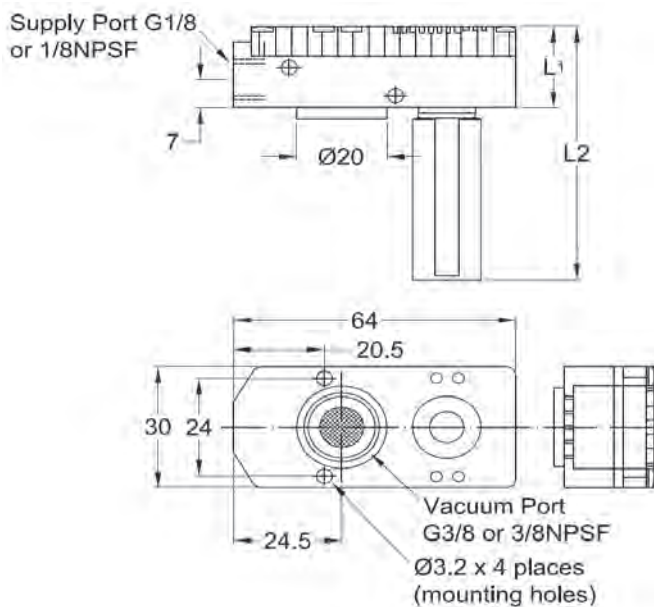
A & NA Body Type

Model	A	NA
ABM5	●	●
ABM10	●	●



B, NB & NBA Body Type

Model	L1	B	NB	NBA
ABM5	20.5	●	●	●
ABM10		●	●	●
ABM20	27.5	●	●	●
ABM30	35.0	●	●	●



C & NC Body Type

Model	L1	L2	C	NC
ABM5	20.5	87	●	●
ABM10			●	●
ABM20	27.5	94	●	●
ABM30	35.0	102	●	●