

EHC EGG HANDLING CUPS



- Egg handling vacuum cups
- Available in FDA silicone as standard
- Multiple bellows offers vacuum lift independent of machine movement

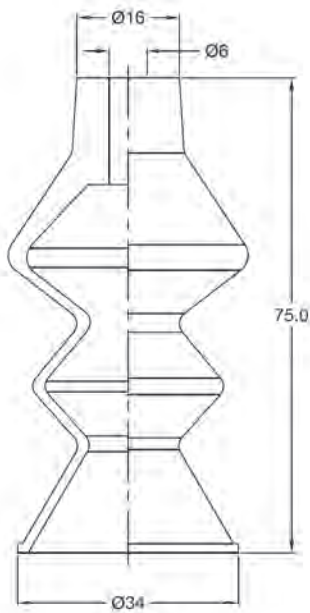


EHC		3475		N	
Series	Model	Diameter	Cup Material		
	3475	34	N	NBR Black 50 Durometer	
	3566	35	S	Silicone White 30 Durometer	
	3776	37	SBLK	Silicone Black 50 Durometer	
			SR	Silicone Red 50 Durometer	
			SBLU	Silicone Blue 50 Durometer	

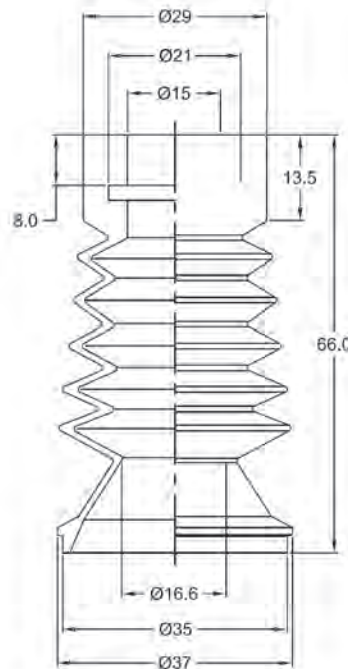
Part number example EHC3475N
34mm Egg Handling Cup in NBR

Note - #3566 only available in Blue Silicone
#3766 only available in Red Silicone

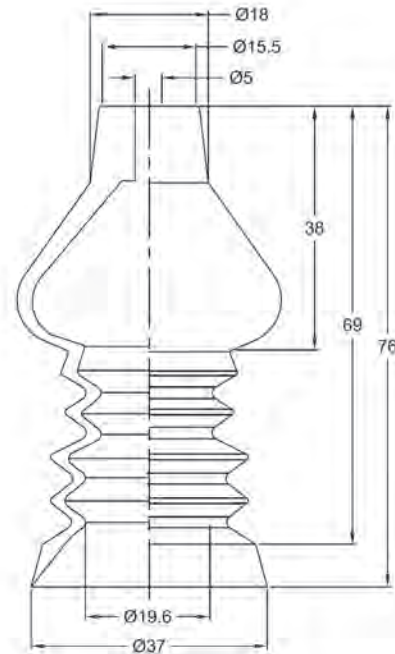
DIMENSIONS (mm)



Model 3475



Model 3566



Model 3776



This cup series is available in metal detectable FDA compliant silicone.
For red colored metal detectable silicone use material code SMI.
For white translucent metal detectable silicone use material code STMI.