



VACUUM FILTERS

VFD SERIES VACUUM FILTERS



- Inline filters for point of use applications
- Simple push-to-connect fitting connection
- Easy change element
- Transparent filter bowl for easy of inspection



VFD 02 14

Series	Body Size	Applicable Tube Size Code							
		04	06	14	08	10	38	12	12N
02	02	●	●	●					
03	03		●	●	●	●	●		
04	04					●	●	●	●

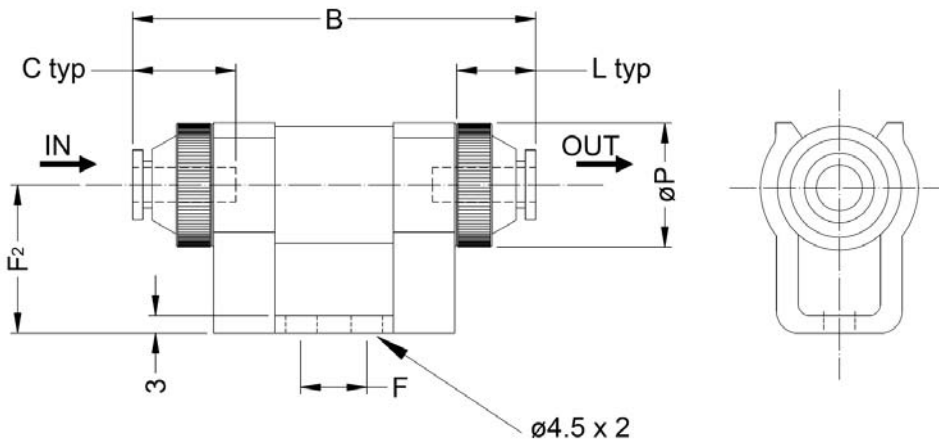
e.g VFD0214 is a 02 Body with 1/4" Push In Fittings

Specifications	
Fluid	Air
Pressure Range	0-29"Hg (0 to -100kPa)
Element Porosity	10μ
Service Temperature	32-140°F (0-60°C)

Spare Elements	
BODY	Element Part No
02	VFD02A
03	VFD03A
04	VFD04A

Model	Tube Size
VFD0204	4mm (5/32")
VFD0206	6mm
VFD0214	1/4"
VFD0306	6mm
VFD0314	1/4"
VFD0308	8mm (5/16")
VFD0338	3/8"
VFD0310	10mm
VFD0438	3/8"
VFD0410	10mm
VFD0412	12mm
VFD0412N	1/2"

DIMENSIONS (mm)



Model	B	ØP	C	L	F	F ₂	Filter Area cm ²	Weight g/oz	Max Flow l/min / CFM
VFD0204	54	18.5	14	10	10	20	7.5	25/0.9	50 / 1.6
VFD0206 & VFD0214	56		15.5	11					100 / 3.5
VFD0306 & VFD0314	63		17	11					120 / 4.2
VFD0308	65	22.5	17	12	14	24	12.5	40/1.4	250 / 9
VFD0338 & VFD0310	77			20					18
VFD0438 & VFD0410	81	26.5	21	16	16	28.5	15	52/1.8	400 / 14
VFD0412 & VFD0412N	87			24					19

- Plastic bowl filter
- Polyethylene element
- Quick release spin off filter bowl
- No tools required for element change
- Transparent filter bowl for ease of inspection



PVF	N	3	
Series	Thread Type	Code	Port Size
	G BSPP	1	1/8
	N NPT	2	1/4
		3	3/8
		4	1/2
		6	3/4
		8	1
		15	1-1/2

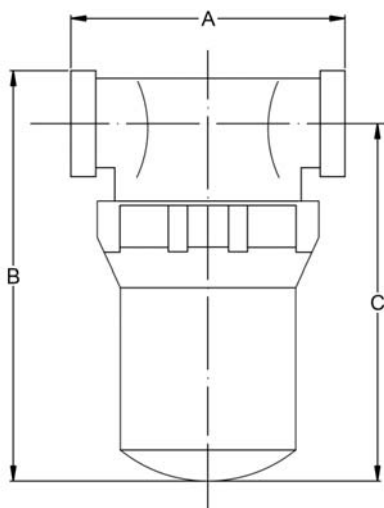
Fluid Media	Air
Pressure	6bar/150psi
Vacuum	0 to -100kPa/0-29"Hg
Element Porosity	10μ
Service Temperature	0-60°C/32-140°F

SPECIFICATIONS

Filter Model	Weight g/oz	Flow SCFM	Volume in ³	Filter Area in ²
PVF-N1	48/1.7	3	2.1	5
PVF-N2	56/2	4.2	2.4	
PVF-N3	70/2.5	5.4	2.7	
PVF-N4	190/6.7	31	11.9	16
PVF-N6	180/6.3	31	12.5	
PVF-N8	425/15	89	30	30
PVF-N15	540/19	180	41	35

Spare Elements	
Filter Model	Element Part No
1/8	PVFE375
1/4	
3/8	
1/2	PVFE75
3/4	
1	PVFE10
1.5	PVFE15

DIMENSIONS (mm)



Filter Model	A	B	C
PVF-N1	75	68	50
PVF-N2			
PVF-N3			
PVF-N4	91	136	119
PVF-N6			
PVF-N8	125	163	141
PVF-N15	129	206	175



- Die-cast Aluminum Filter Head
- Stainless Steel Element
- Washable Field Service Element
- Ideal for Course Filtration
- Suitable for Air and Liquids

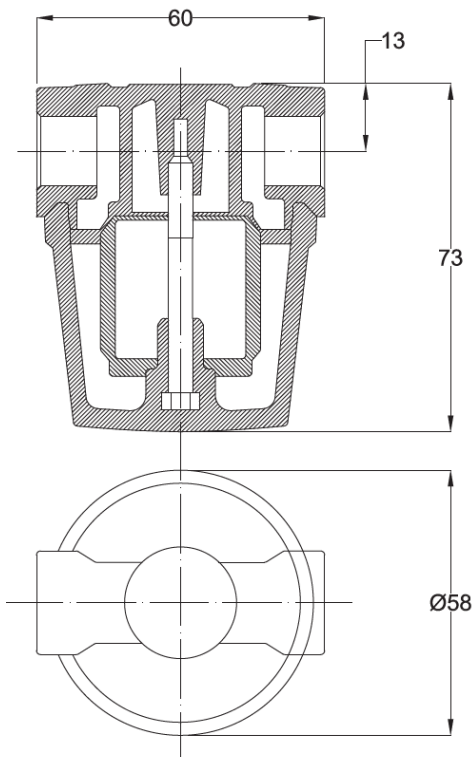
FB	3	AL	100		
Series	Code	Port Size	Bowl Material	Code	Porosity
	2	1/4	AL Aluminum	44	44μ
	3	3/8	PL Plastic	100	100μ



SPECIFICATIONS

Fluid Media	Air, Oil, Fuel
Pressure Plastic Bowl	1bar/15psi
Pressure Aluminum Bowl	1bar/15psi
Vacuum	0 to -100kPa/0-29"Hg
Element Porosity	44μ or 100μ
Max Temperature	80°C/176°F

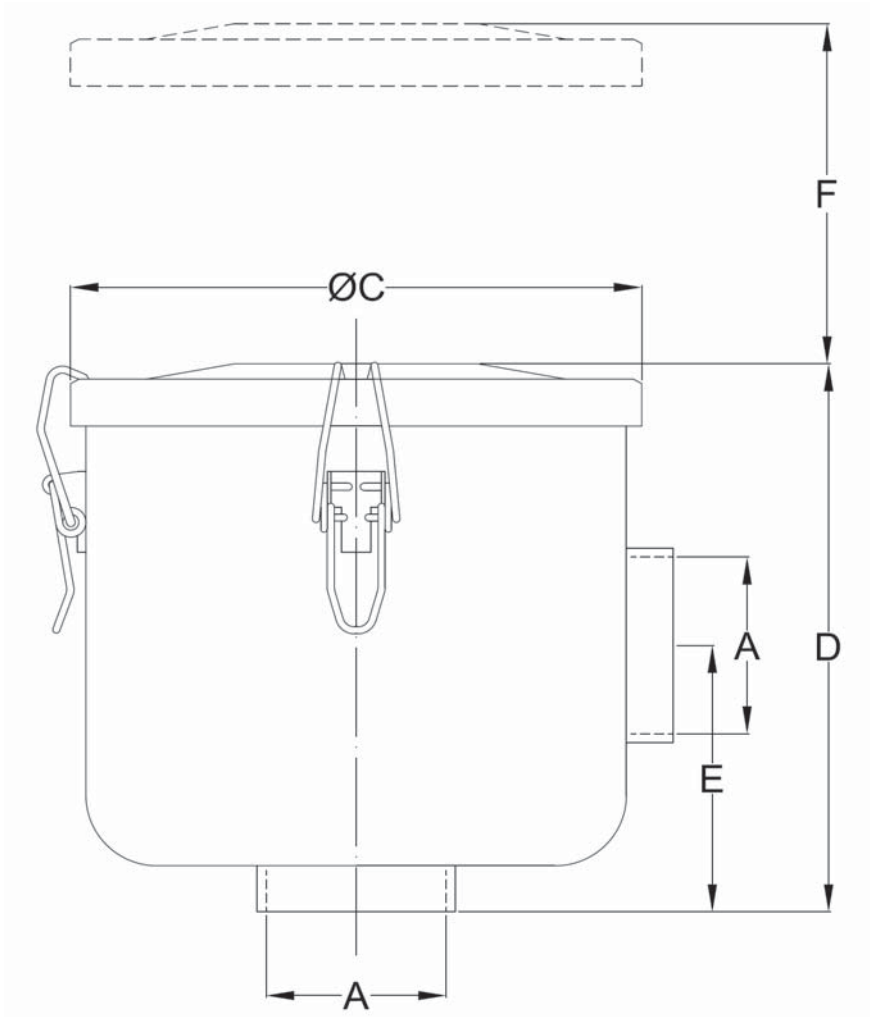
DIMENSIONS (mm)



Spare Elements		
Filter Model	Element 44μ	Element 100μ
FB2	FBELE40	FBELE100
FB3		



DIMENSIONS (mm)



F Dimension

This is the distance the lid of the filter has to be moved in a vertical direction to remove the element.

Model	Port A	ØC	D	E	F
F-*4*	1/2	101	90	53	70
F-*6*	3/4				
F-*10*	1 1/4	146	110	70	75
F-*10L*	1 1/4	185	170	115	130
F-*12*	1 1/2				
F-*16*	2	222	258	125	240
F-*20*	2 1/2				
F-*24*	3	285	235	135	170
F-*32*	4				

F SERIES VACUUM FILTERS



- Heavy duty vacuum filter
- Welded steel plate painted construction
- Easy removal of lid for element replacement
- Available in both BSPP and NPT threads
- Paper and polyester element options
- Can be installed upright or at 90°



F	-	N	12	P		
Series	Thread Type		Code	Port Size	Element	
	G	BSPP	3	3/8	P	Paper
	N	NPT	4	1/2	PET	Polyester
			6	3/4		
			10	1 1/4		
			10L	1 1/4		
			12	1 1/2		
			16	2		
			20	2 1/2		
			24	3		
			32	4		

SPECIFICATIONS	
Pressure Range	0 to -100kPa (0-29.92"Hg)
Materials	Plated Steel (painted)
Temperature Range	-20°C to 100°C (-4°F to 212°F)
Filtration Efficiency	Paper >5μ
	Polyester >10μ

Part Number Example F-N10P
 F Series Filter with 1 1/4NPT Ports and Paper Element

Model	Port Size	Flow Rate m ³ /hr (CFM)	Spare Paper Element	Spare Polyester Element
F-*4*	1/2	32 (19)	FE3	FE3P
F-*6*	3/4	42 (25)		
F-*10*	1 1/4	100 (59)	FE10	FE10P
F-*10L*	1 1/4	120 (71)	FE12	FE12P
F-*12*	1 1/2	150 (88)		
F-*16*	2	300 (177)	FE16	FE16P
F-*20*	2 1/2	360 (212)		
F-*24*	3	510 (300)	FE24	FE24P
F-*32*	4	800 (471)		

* Denotes thread type and element material



NOTES