

VFDB DOUBLE BELLOWS CUP



- Double Bellows Design
- Compensates for Height Variances in Part Picking
- Can seal on Convex and Concave Surfaces
- Available from 20mm to 70mm Diameter
- NBR, FDA Silicone and Dual Durometer Polyurethane



VFDB

40

DPU

Series	Model	Diameter (mm)	Cup Material	
	20	20	N	Nitrile
	30	30	S	Red Silicone
	40	40	PU	PU 60 Durometer
	50	50	DPU	Dual PU 30/60 Durometer
	70	70		

Part number example VFDP40DPU
 40mm Diameter double bellows vacuum cup in dual durometer polyurethane compound (30/60 = lip/body)

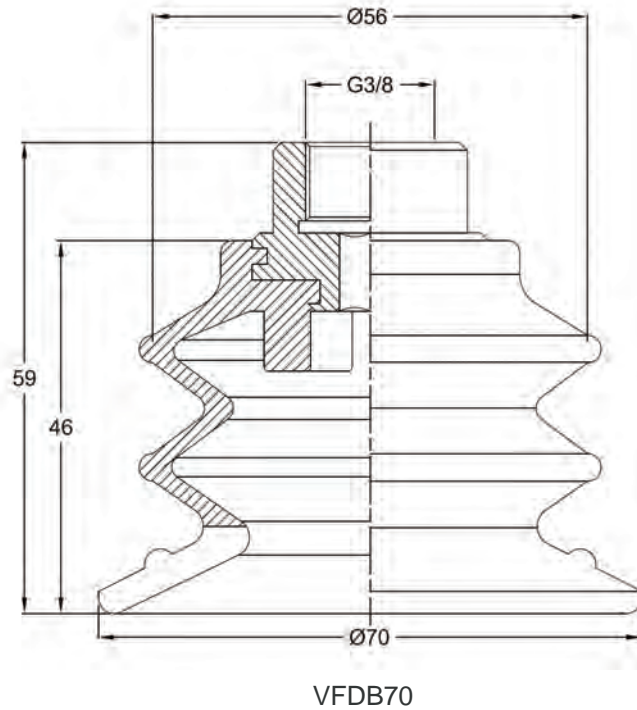
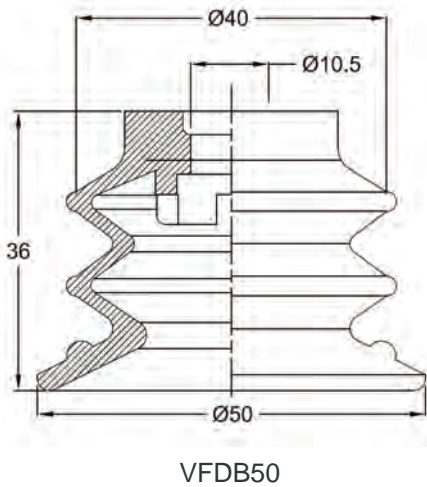
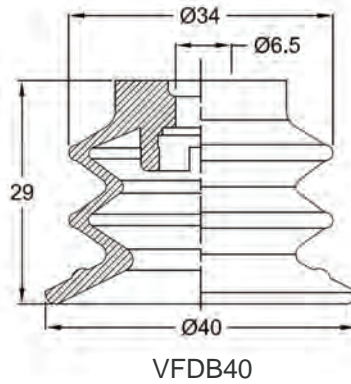
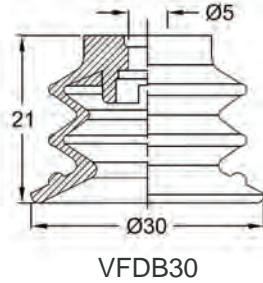
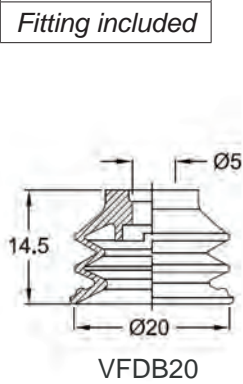
Dual Durometer Vacuum Cups (DPU)

The DPU compound variant of these vacuum cups offer a dual Durometer polyurethane construction. The body of the vacuum cup is a 60 Durometer polyurethane offering rigidity and strength, whereas the lip of the vacuum cup is a 30 Durometer polyurethane offering superior sealing capabilities particularly on rough or curved surfaces.

DIMENSIONS (mm)

For Suitable Cup Fittings
Refer to Table Below

Model	Fitting Type
VFDB20	C
VFDB30	
VFDB40	D
VFDB50	E
VFDB70	<i>Fitting included</i>



For cup fittings
refer to page 1.34