

# VMT VACUUM VENTURI



- T style vacuum venturi
- Lightweight and compact
- Inch supply port sizes 5/32", 1/4", 5/16", 3/8" & 1/2"
- Metric supply port sizes 4, 6, 8, 10 & 12mm
- Perpendicular exhaust port suitable for clean rooms

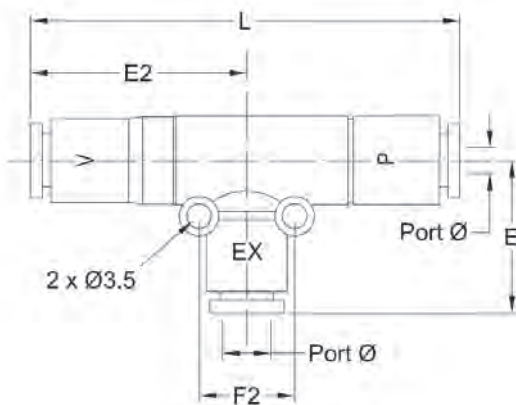


VMT		10	06
Series	Venturi Nozzle Ø	Supply & Vacuum Port	
05	0.5mm	4mm (5/32")	
10	1.0mm	6mm	
15	1.5mm	8mm (5/16")	
20	2.0mm	10mm	
		12mm	

## SPECIFICATIONS

Model	Venturi Ø	Air Supply (P) & Vacuum Port (V) Ø	Exhaust Port (EX) Ø	Vacuum Flow l/min / CFM	Weight (g)
VMT0504	0.5mm	4mm (5/32")	6mm	11.5 / 0.4	40
VMT0506		6mm			
VMT05014		1/4"	1/4"		
VMT1006	1.0mm	6mm	6mm	45 / 1.6	45
VMT1014		1/4"	8mm (5/16")		
VMT1008		8mm (5/16")			
VMT1508	1.5mm	10mm	10mm	68 / 2.4	58
VMT1510					54
VMT2038	2.0mm	3/8"	3/8"	90 / 3.2	69
VMT2010		10mm	12mm		
VMT2012		12mm			
VMT2012N		1/2"	1/2"		64

## DIMENSIONS (mm)



Model	Air Supply (P) & Vacuum Port (V) Ø	Exhaust Port (EX) Ø	L	E	E2	
VMT0504	4mm (5/32")	6mm	60	24	29	
VMT0506	6mm		66		32	
VMT05014	1/4"		1/4"			
VMT1006	6mm	6mm	76	27	40	
VMT1014	1/4"	8mm (5/16")			42	
VMT1008	8mm (5/16")			79	42	40
VMT1508	10mm	10mm				
VMT1510	10mm	12mm	90	50	45	
VMT2038	3/8"					3/8"
VMT2010	10mm					
VMT2012	12mm					
VMT2012N	1/2"	1/2"				