

# AIR PREPARATION EQUIPMENT INLINE FILTERS

**pneuforce.com** 

## Features

- Pipe or Bracket Mounted Point of Use Filters
- Quick Release Bayonet Bowl Connection
- Easy Change Filter Elements
- Transparent Filter Bowl For Element Inspection
- Semi Automatic (pull for drain) or Fully Automatic Drain
- Modular Connection Technology



NAF1000-M5

**NAF**

**3000**

**10**

**D**

Series Type	
AF	BSPP
NAF	NPT

Body Size
1000
2000
3000
4000
5000

Port Size	
M5	M5 (10-32UNF)
01	1/8
02	1/4
03	3/8
04	1/2
06	3/4
10	1

Drain Type	
	Semi-Automatic
D	Auto

## SPECIFICATIONS

Model	1000-M5	2000-01/02	3000-02/03	4000-03/04	4000/06	5000-06/10
Port Size	M5 (10-32UNF)	1/8 & 1/4	1/4 & 3/8	3/8 & 1/2	3/4	3/4 & 1
Filtration Efficiency	25µ Sintered Bronze (5µ & 40µ Available + Polyethylene)					
Max Working Pressure	10bar(g) / 150psi(g)					
Proof Pressure	15bar(g) / 220psi(g)					
Working Temperature	5-60° / 41-140°F					
Rated Flow	110l/min 4CFM	750l/min 27CFM	1500l/min 54CFM	4000l/min 143CFM	6000l/min 212CFM	7000l/min 250CFM
Weight	0.07kg / 0.15lb	0.19kg/0.4lb	0.29kg/0.6lb	0.55kg/1.2lb	0.58kg/1.3lb	1.08kg/2.4lb
Liquid Capacity	4cm <sup>3</sup> /0.14oz	15cm <sup>3</sup> 0.5oz	20cm <sup>3</sup> 0.68oz	45cm <sup>3</sup> 1.5oz		130cm <sup>3</sup> 4.4oz
Materials	Body	Die Cast Zinc	Die Cast Aluminum			
	Bowl	Polycarbonate				
	Bowl Guard	no bowl guard		Painted Steel		

**Features**

- Pipe or Bracket Mounted Point of Use Pressure Regulators
- Panel Mount Feature
- Includes Gauge and Mounting Bracket



NAF1000-M5

<b>NAR</b>		<b>3000</b>	<b>10</b>	
Series Type		Body Size	Port Size	
AR	BSPP	1000	M5	M5 (10-32UNF)
NAR	NPT	2000	01	1/8
		3000	02	1/4
		4000	03	3/8
		5000	04	1/2
			06	3/4
			10	1

SPECIFICATIONS						
Model	1000-M5	2000-01/02	3000-02/03	4000-03/04	4000/06	5000-06/10
Port Size	M5 (10-32UNF)	1/8 & 1/4	1/4 & 3/8	3/8 & 1/2	3/4	3/4 & 1
Pressure Gauge Port	1/16	1/8	1/4			
Pressure Adjustment Range	0.5-8.5bar(g) / 7-128psi(g)					
Max Working Pressure	10bar(g) / 150psi(g)					
Proof Pressure	15bar(g) / 220psi(g)					
Working Temperature	5-60° / 41-140°F					
Rated Flow	100l/min 4CFM	550l/min 19CFM	2500l/min 88CFM	6000l/min 212CFM	8000l/min 282CFM	
Weight	0.08kg / 0.18lb	0.27kg/0.6lb	0.41kg/0.9lb	0.84kg/1.8lb	0.94kg/2lb	1.19kg/2.6lb
Materials	Body	Die Cast Zinc	Die Cast Aluminum Alloy			
	Deck	Reinforced Nylon			Die Cast Aluminum Alloy	
	Membrane	Nitrile Rubber				

# AIR PREPARATION EQUIPMENT INLINE AIR LUBRICATORS

## Features

- Pipe or Bracket Mounted Point of Use Lubricators
- Quick Release Bayonet Bowl Connection
- Adjustable Lubrication Rate

**NAL**

**3000**

**10**

Series Type		Body Size	Port Size	
AF	BSPP	1000	M5	M5 (10-32UNF)
NAF	NPT	2000	01	1/8
		3000	02	1/4
		4000	03	3/8
		5000	04	1/2
			06	3/4
			10	1



NAL1000-M5

## SPECIFICATIONS

Model	1000-M5	2000-01/02	3000-02/03	4000-03/04	4000/06	5000-06/10
Port Size	M5 (10-32UNF)	1/8 & 1/4	1/4 & 3/8	3/8 & 1/2	3/4	3/4 & 1
Max Working Pressure	10bar(g) / 150psi(g)					
Proof Pressure	15bar(g) / 220psi(g)					
Working Temperature	5-60° / 41-140°F					
Lubrication Oil	ISOVG32 or Equivalent					
Rated Flow	95l/min 3.5CFM	800l/min 28CFM	1700l/min 60CFM	5000l/min 177CFM	6300l/min 222CFM	7000l/min 250CFM
Weight	0.07kg / 0.15lb	0.22kg/0.5lb	0.29kg/0.6lb	0.55kg/1.2lb	0.58kg/1.3lb	1.08kg/2.4lb
Oil Capacity	7cm³/0.24oz	25cm³ 0.85oz	50cm³ 1.69oz	130cm³ 4.4oz		
Body	Die Cast Zinc	Die Cast Aluminum				
Bowl	Polycarbonate					
Bowl Guard	no bowl guard			Painted Steel		

**Features**

- Pipe or Bracket Mounted Point of Use Pressure Regulators
- Panel Mount Feature
- Includes Gauge and Mounting Bracket

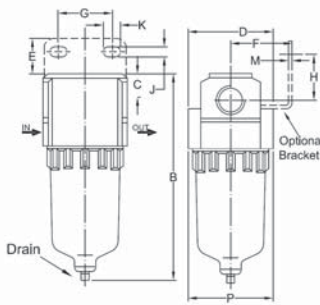


<b>NAW</b>		<b>3000</b>	<b>10</b>		<b>D</b>
Series Type		Body Size	Port Size		Drain Type
AW	BSPP	1000	M5	M5 (10-32UNF)	Semi-Automatic
NAW	NPT	2000	01	1/8	D
		3000	02	1/4	
		4000	03	3/8	
		5000	04	1/2	
			06	3/4	
			10	1	

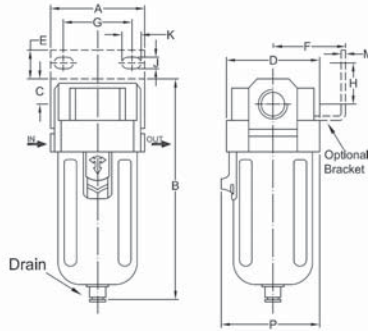
SPECIFICATIONS						
Model	1000-M5	2000-01/02	3000-02/03	4000-03/04	4000/06	5000-06/10
Port Size	M5 (10-32UNF)	1/8 & 1/4	1/4 & 3/8	3/8 & 1/2	3/4	3/4 & 1
Filtration Efficiency	25µ Sintered Bronze (5µ & 40µ Available + Polyethylene)					
Pressure Adjustment Range	0.5-8.5bar(g) / 7-128psi(g)					
Max Working Pressure	10bar(g) / 150psi(g)					
Proof Pressure	15bar(g) / 220psi(g)					
Working Temperature	5-60° / 41-140°F					
Rated Flow	110l/min 4CFM	550l/min 20CFM	2000l/min 71CFM	4000l/min 143CFM	4500l/min 159CFM	5500l/min 197CFM
Weight	0.09kg / 0.20lb	0.36kg/0.8lb	0.56kg/1.2lb	1.09kg/2.4lb	1.15kg/2.5lb	1.71kg/3.7lb
Liquid Capacity	4cm³/0.14oz	15cm³ 0.5oz	20cm³ 0.68oz	45cm³ 1.5oz		130cm³ 4.4oz
Materials	Body	Die Cast Zinc	Die Cast Aluminum			
	Bowl	Polycarbonate				
	Bowl Guard	no bowl guard		Painted Steel		
	Membrane	Nitrile Rubber				

FILTER Dimensions (mm)												
Model	A	B	C	D	E	F	G	H	J	K	M	P
1000-M5	25	66	7	25	-	-	-	-	-	-	-	27
2000-01/02	40	98	11	40	17	30	27	22	5.4	8.4	2.3	40
3000-02/03	53	133	14	53	16	41	40	23	6.5	8		56
4000-03/04	70	169	18	70	17	50	54	26	8.5	10.5		73
4000-06	75	173	20	70	14	50		25			90	
5000-06/10	90	248	24	90	23	70	66	35	11	13	3.2	90

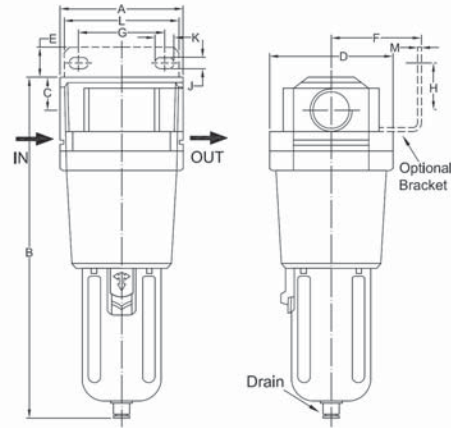
1000 & 2000 Series



3000 & 4000 Series

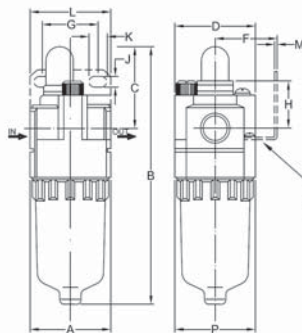


5000 Series

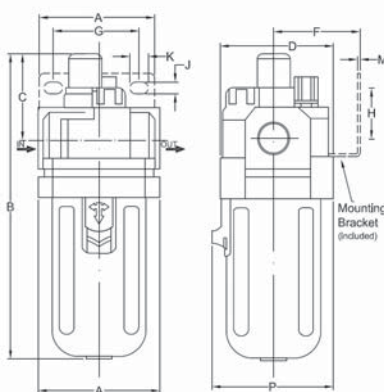


LUBRICATOR Dimensions (mm)												
Model	A	B	C	D	E	F	G	H	J	K	M	P
1000-M5	25	66	7	25	-	-	-	-	-	-	-	27
2000-01/02	40	98	11	40	17	30	27	22	5.4	8.4	2.3	40
3000-02/03	53	133	14	53	16	41	40	23	6.5	8		56
4000-03/04	70	169	18	70	17	50	54	26	8.5	10.5		73
4000-06	75	173	20	70	14	50		25			90	
5000-06/10	90	248	24	90	23	70	66	35	11	13	3.2	90

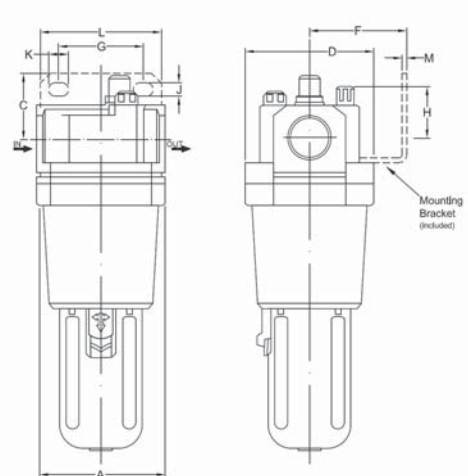
NAL1000 & 2000



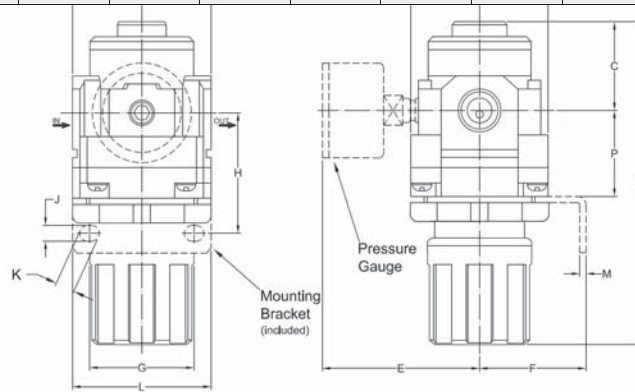
NAL3000 & 4000



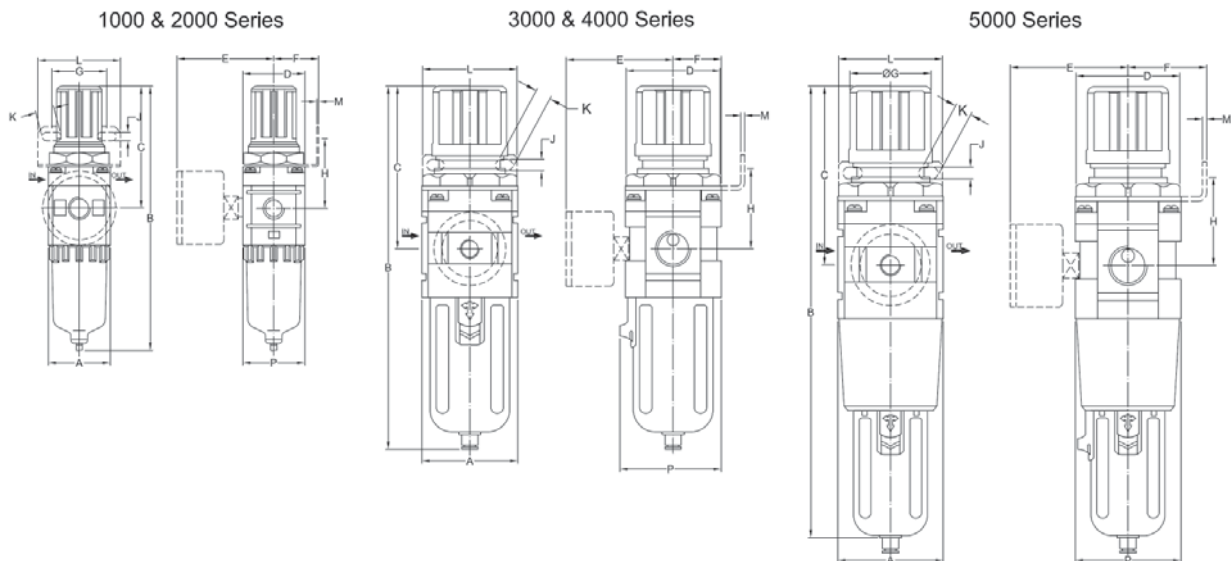
NAL5000



REGULATOR Dimensions (mm)													
Model	A	B	C	D	E	F	G	H	J	K	L	M	N
1000-M5	25	62	11	25	26	28	30	4.5	6.5	6.5	40	2	21
2000-01/02	40	95	17	40	57	30	34	45	5.4	15	55	2.3	34
3000-02/03	53	128	35	53	61	41	40	46	6.5	8	53		43
4000-03/04	70	150	38	70	66	50	54	54	8.5	10.5	70		53
4000-06	75	155	41	70	70	50	54	56					
5000-06/10	90	168	48	90	76	70	66	66	11	13	90	3.2	



FILTER REGULATOR Dimensions (mm)													
Model	A	B	C	D	E	F	G	H	J	K	L	M	P
1000-M5	25	110	51	25	26	25	28	30	4.5	6.5	40	2	28
2000-01/02	40	165	78	40	57	30	34	45	5.4	15.4	55	2.3	40
3000-02/03	53	211	93	53	61	41	40	46	6.5	8	53		56
4000-03/04	70	263	112	70	71	50	54	54	8.5	11	70		73
4000-06	75	267	114				74	56					
5000-06/10	90	338	116	90	76	50	54	62					90





## Spare Mounting Brackets

Filters & Lubricators	
Model	Bracket Part Ref
1000	n/a
2000	B240
3000	B340
4000	B440
4000-06	B540
5000	B640



Regulators & Filter Regulators	
Model	Bracket Part Ref
1000	n/a
2000	B220
3000	B320
4000	B420
5000	



## FRL Brackets for Modular Construction And Wall Mounting

The typical FRL, Filter + Regulator + Lubricator, shown on the right uses two “L” brackets to join the regulator to the filter and the lubricator. These two brackets can then be attached to a wall or machine panel.

The table below shows what is required to make an assembly using the two brackets.



Assembly Reference	Filter Model	Bracket	Regulator	Bracket	Lubricator
NAC2000-01/02	NAF2000-01/02	B210L	NAR2000-01/02	B210L	NAL2000-01/02
NAC3000-02/03	NAF3000-02/03	B310L	NAR3000-02/03	B310L	NAL3000-02/03
NAC4000-03/04	NAF4000-03/04	B410L	NAR4000-03/04	B410L	NAL4000-03/04
NAC4000-06	NAF4000-06	B510L	NAR4000-06	B510L	NAL4000-06
NAC5000-06/10	NAF5000-06/10	B610L	NAR5000-06/10	B610L	NAL5000-06/10

## Filter Regulator Brackets for Modular Construction And Wall Mounting

The Filter Regulator shown on the right uses one “T” style bracket for modular connection and wall or machine panel mounting.

The table below shows what is required to make an assembly using the two brackets.



Assembly Reference	Filter Model	Bracket	Regulator	Bracket	Lubricator
NAC2000-01/02	NAF2000-01/02	B210L	NAR2000-01/02	B210L	NAL2000-01/02
NAC3000-02/03	NAF3000-02/03	B310L	NAR3000-02/03	B310L	NAL3000-02/03
NAC4000-03/04	NAF4000-03/04	B410L	NAR4000-03/04	B410L	NAL4000-03/04
NAC4000-06	NAF4000-06	B510L	NAR4000-06	B510L	NAL4000-06
NAC5000-06/10	NAF5000-06/10	B610L	NAR5000-06/10	B610L	NAL5000-06/10

**REPLACEMENT FILTER ELEMENTS**

Element	Description
FE2000-25	ELEMENT 2000 SERIES 25 MICRON
FE2000-40	ELEMENT 2000 SERIES 40 MICRON
FE2000-5	ELEMENT 2000 SERIES 5 MICRON
FE3000-25	ELEMENT 3000 SERIES 25 MICRON
FE3000-40	ELEMENT 3000 SERIES 40 MICRON
FE3000-5	ELEMENT 3000 SERIES 5 MICRON
FE4000-25	ELEMENT 4000 SERIES 25 MICRON
FE4000-40	ELEMENT 4000 SERIES 40 MICRON
FE4000-5	ELEMENT 4000 SERIES 5 MICRON
FE5000-25	ELEMENT 5000 SERIES 25 MICRON
FE5000-40	ELEMENT 5000 SERIES 40 MICRON
FE5000-5	ELEMENT 5000 SERIES 5 MICRON



**SAFETY LOCK OUT VALVES**

Model	Supply Port	Vent Port	Use with This Model Series
SLO2000-01	1/8NPT	1/8NPT	2000-01
SLO2000-02	1/4NPT	1/8NPT	2000-02
SLO3000-02	1/4NPT	1/4NPT	3000-02
SLO3000-03	3/8NPT	1/4NPT	3000-03
SLO4000-03	3/8NPT	3/8NPT	4000-03
SLO4000-04	1/2NPT	3/8NPT	4000-04
SLO5000-06	3/4NPT	3/8NPT	5000-06
SLO5000-10	1NPT	3/8NPT	5000-10

The safety lock out valves are used to isolate machinery that the FRL assembly is attached to from the compressed air supply. This helps the user to comply to OSHA 29 CFR 1910.147. The relieving feature of these valves “dumps” air in the machinery to allow safe inspection or maintenance. The valves are able to be locked in the shut off position using a padlock type device or maintenance lock out tool.

