

- Stainless steel and brass body models
- Pneumatic pilot operation
- Normally closed and normally open models
- Single acting and double acting options
- Available in BSPP & NPT Threads, Tri Clamp Flange and Bolt Flange

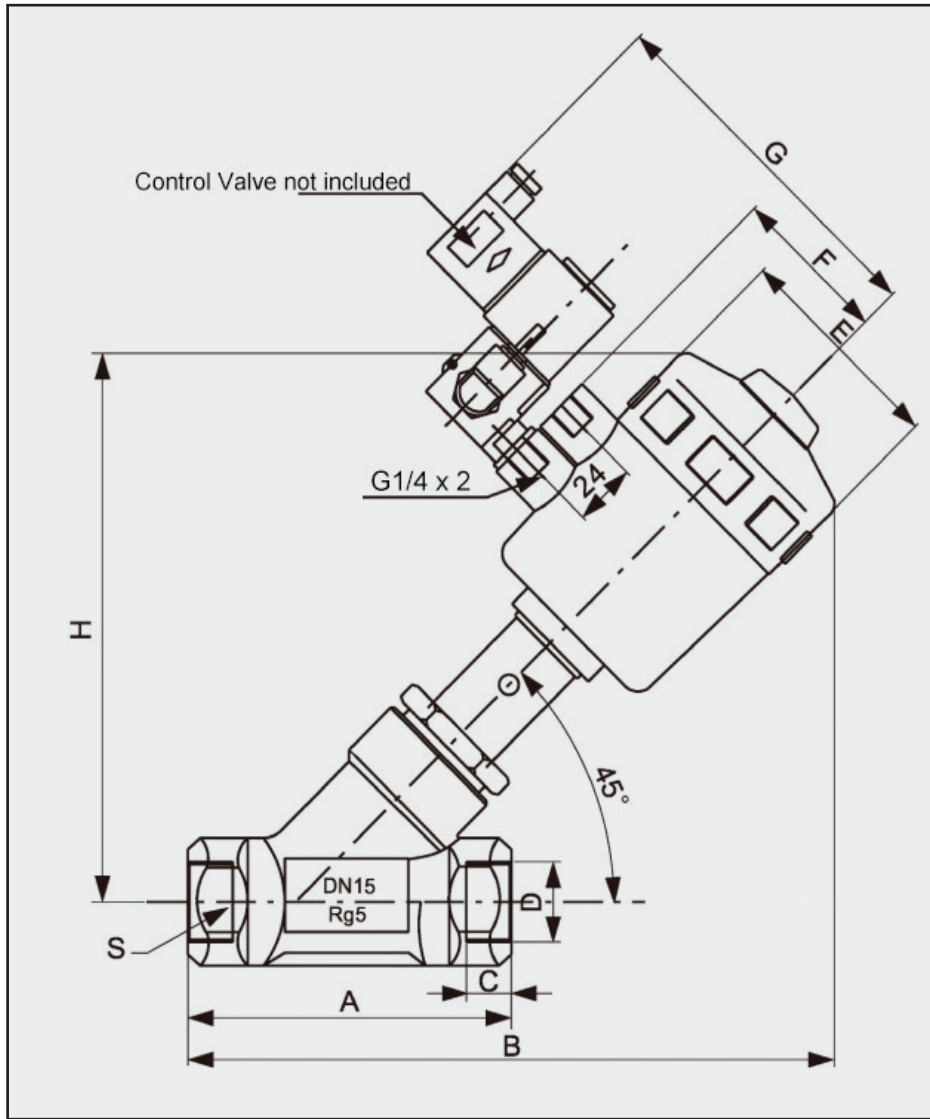


G		ASV		15		S		1		NC	
Connection Type		Model Series		Orifice (mm)		Body Material		Actuation		Type	
G	BSPP			15		B	Brass	1	Single Acting	NC	Normally Closed
N	NPT			20		S	Stainless Steel	2	Double Acting	NO	Normally Open
DN	Flange			25							
BL	Bolt Flange			35							
				40							
				50							
				65							

SPECIFICATIONS

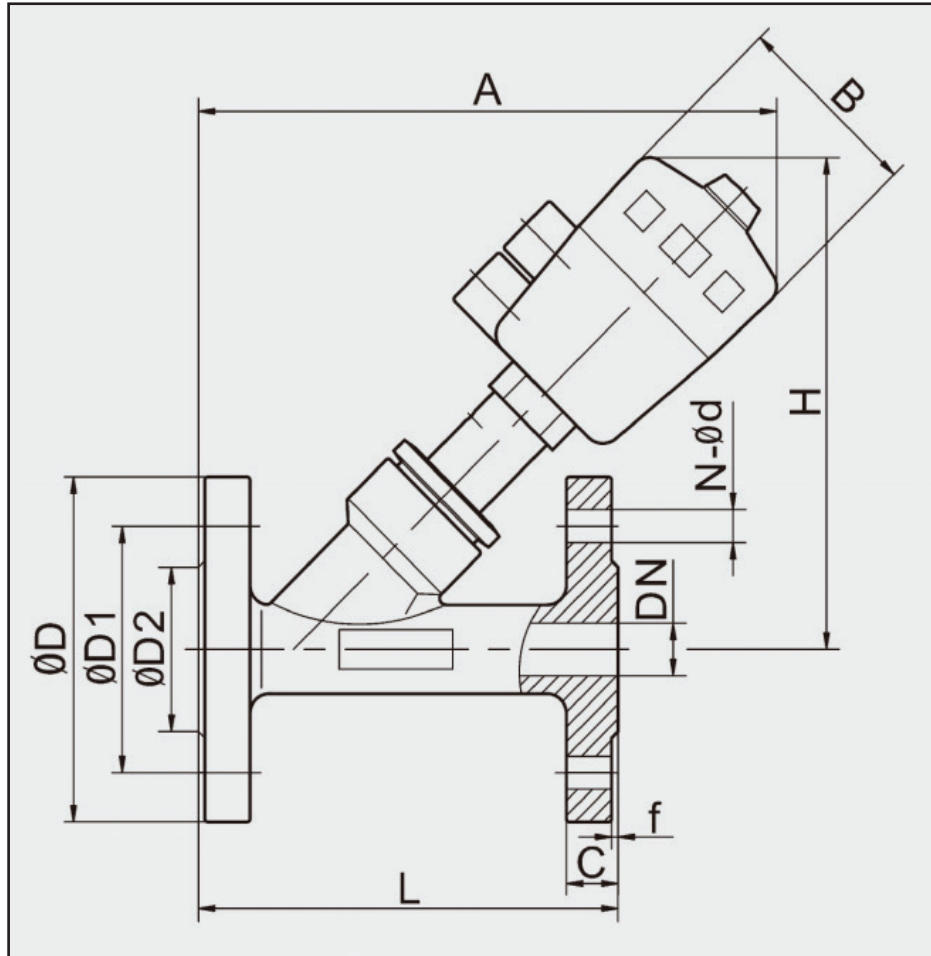
Orifice (mm)	Flow m ³ /hr / CFM	Max Working Pressure bar / psi	Min Operating Pressure bar / psi	Medium Temperature
15	4.2 / 2.5	16 / 240	0.39 / 5.9	-10 to 180°C 14 to 356°F
20	8 / 4.7	11 / 165		
25	19 / 11.2		0.42 / 6.3	
35	28 / 16.5	15 / 225	0.5 / 7.5	
40	42 / 25	12.5 / 188	0.44 / 6.6	
50	55 / 32.5	10 / 150	0.4 / 6	
65	65 / 38.5			

DIMENSIONS
Threaded Models



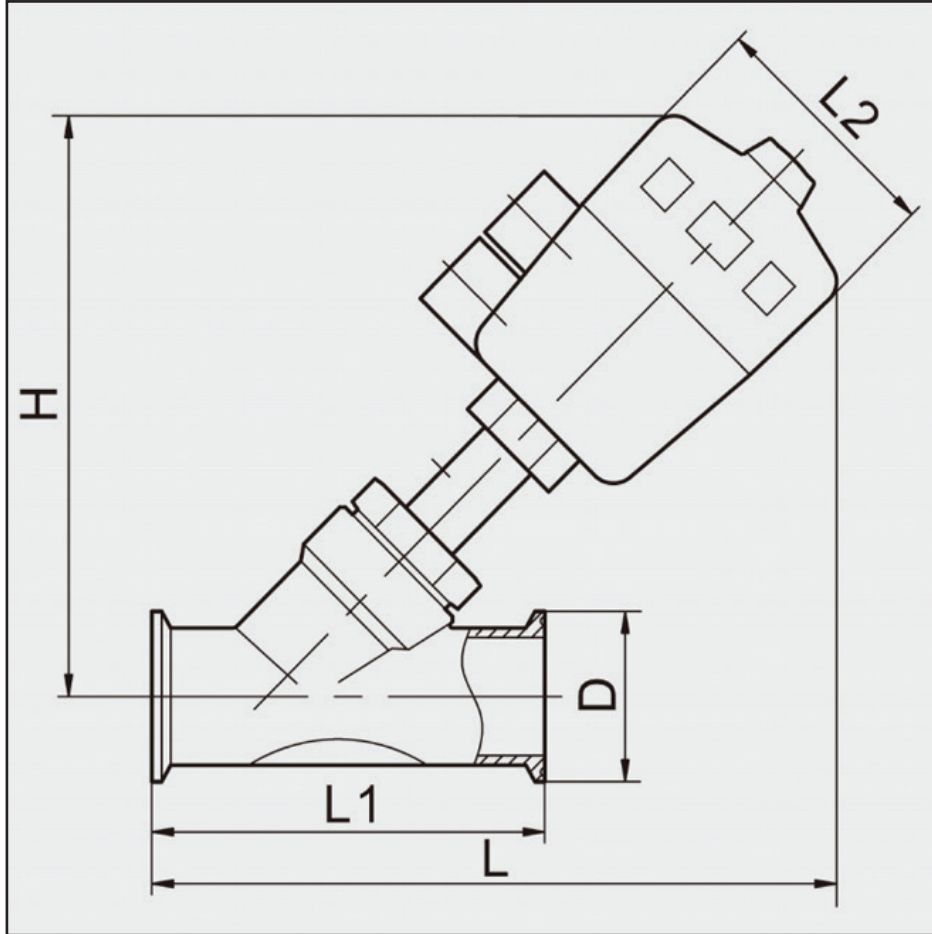
Model	Orifice (mm)	Port D	A	B	C	ØE	F	H
G/NASV	15	1/2	85	170	16	64	44	140
	20	3/4	95	180				145
	25	1	105	215	19	80	52	175
	32	1 1/4	117	220	21			185
	40	1 1/2	129	230				
	50	2	149	265	25	100	60	220
	65	2 1/2	155	300	26	126	73	300

DIMENSIONS
Bolt Flange



Model	Orifice (mm)	L	C	f	D	ØD1	ØD2	H	A	B	Flange Hole
BLASV	15	131	11	1.7	90	65	43	155	185	66.5	4 x Ø14
	20		100		75	54	160				
	25	141	14	2	110	85	63.5	197	220		
	32	150	13	1.7	130	100	74	195	225	82.5	4 x Ø18
	40	178	14	2	140	110	83.5	203	240		
	50	195	18		154	125	97	229	275		
	65	230		145	145	115	315	320	126		

DIMENSIONS
Tri Clamp Models



Model	Orifice (mm)	L	L1	L2	H	D
DNASV	15	190	131.5	66.5	155	50.5
	20	186			162	
	25	20	140.5	82.5	186	
	32	225	150.5		197	
	40	245	180		206	
	50	274	195	102.5	227	