

Pressure Gauges

Utility gauge for commercial and industrial markets
Black steel case, chrome bezel, copper alloy internals.

- Port Size 1/8NPT & 1/4NPT Male
- Dial Size 42mm & 53mm Diameter
- Case Black painted steel
- Wetted Parts Copper alloy
- Bezel Chrome plated steel
- Lens Polycarbonate
- Pointer Black aluminum



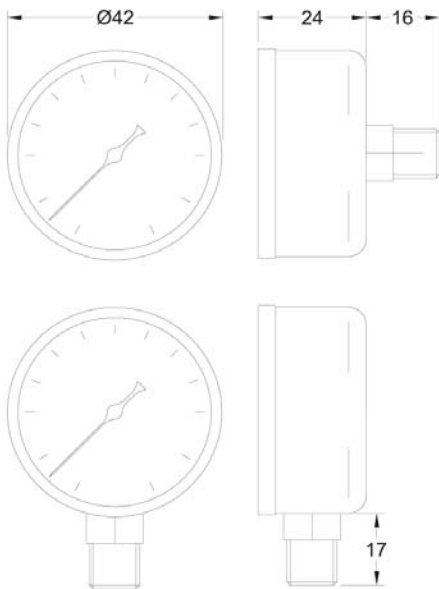
101D Series



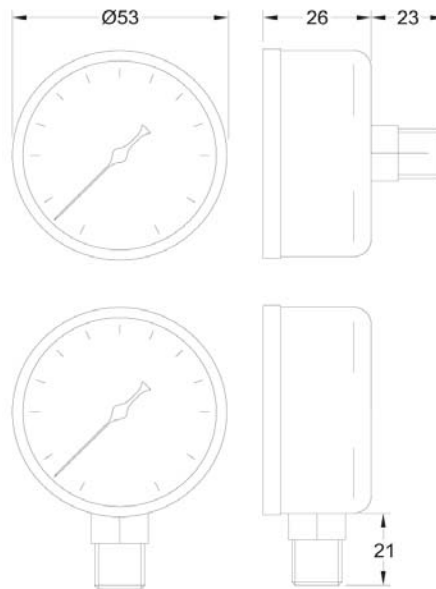
102D Series

Part Number	Dial Ø	Pressure Range	Port Thread	Port Position	
102D-158A	42mm (1.5")	30"Hg Vacuum	1/8NPT	Center Back	
102D-158C		2bar / 30psi			
102D-158D		4bar / 60psi			
102D-158F		10bar / 160psi			
101D-158A		30"Hg Vacuum			Stem
101D-158C		2bar / 30psi			
101D-158D	4bar / 60psi				
101D-158F	10bar / 160psi				
102D-204A	50mm (2")	30"Hg Vacuum	1/4NPT	Center Back	
102D-204C		2bar / 30psi			
102D-204D		4bar / 60psi			
102D-204F		10bar / 160psi			
101D-204A		30"Hg Vacuum			Stem
101D-204C		2bar / 30psi			
101D-204D	4bar / 60psi				
101D-204F	10bar / 160psi				

42mm / 1.5" Dial Series



53mm / 2" Dial Series



Glycerin filled for added durability in applications where vibration or pulsation is present. Stainless steel case and bezel, copper alloy internals.

- Port Size 1/4NPT Male
- Dial Size 63mm (2½") Diameter
- Case Stainless steel
- Liquid Fill Glycerin
- Wetted Parts Copper alloy
- Bezel Stainless steel
- Lens Polycarbonate
- Pointer Black aluminum



202 Series

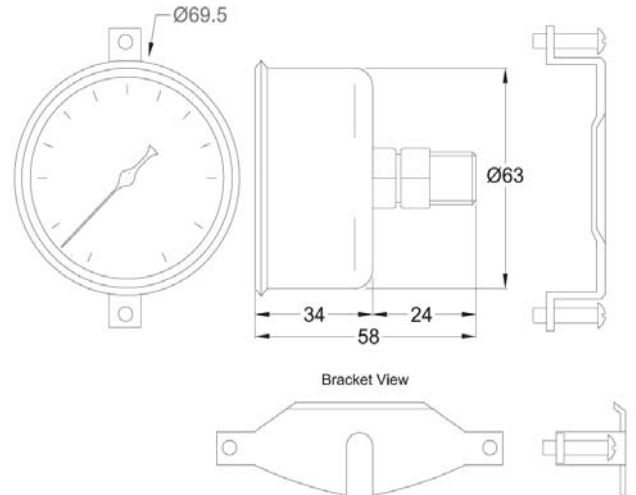


201 Series

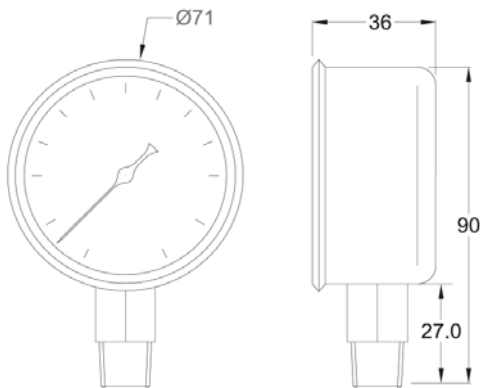


203 Series

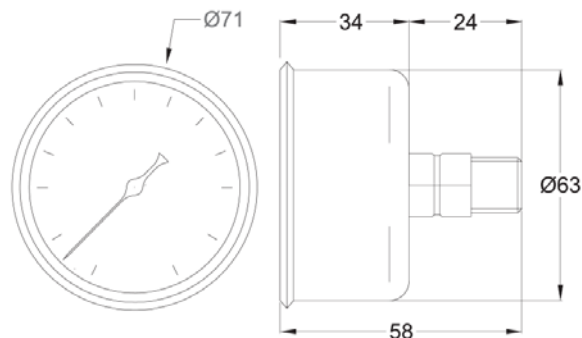
Part Number	Pressure Range	Port Position
SEC-201L-254A	30"Hg Vacuum	Stem Mount
SEC-201L-254F	160psi	
SEC-201L-254N	1,500psi	
SEC-201L-254P	3,000psi	
SEC-201L-254R	5,000psi	
SEC-201L-254U	10,000psi	
SEC-202L-254A	30"Hg Vacuum	Center Back
SEC-202L-254F	160psi	
SEC-202L-254N	1,500psi	
SEC-202L-254P	3,000psi	
SEC-202L-254R	5,000psi	
SEC-202L-254U	10,000psi	
SEC-203L-254A	30"Hg Vacuum	Panel Mount
SEC-203L-254F	160psi	
SEC-203L-254N	1,500psi	
SEC-203L-254P	3,000psi	
SEC-203L-254R	5,000psi	
SEC-203L-254U	10,000psi	



203 Series



201 Series



202 Series

See More Products, Check Pricing & Inventory Online