

VACUUM CUP HOLDERS



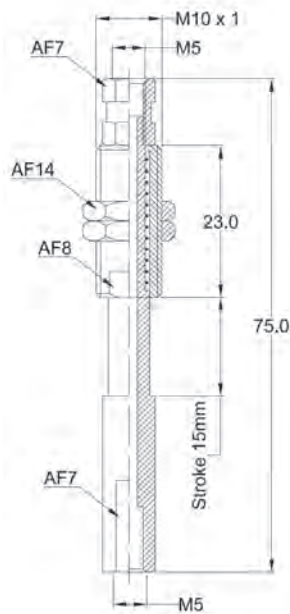
The Vacuforce cup holders, often referred to as level compensators, are normally used on multiple vacuum cup systems such as sheet or plate handling where the height of the load varies during production cycles. These cup holders have been developed with the best materials to offer maximum life in the toughest applications.

Materials

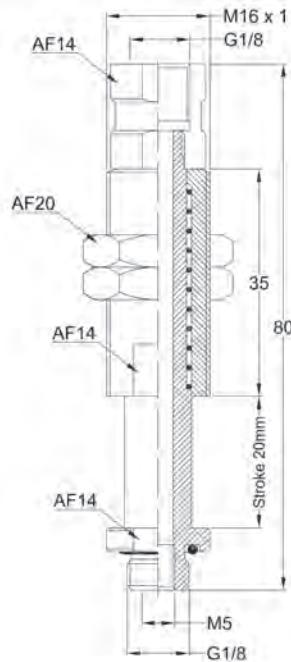
- Hard anodized aluminum thread fittings
- Nickel Plated bushings and lock nuts
- Hard anodized aluminum or chrome plated steel rods



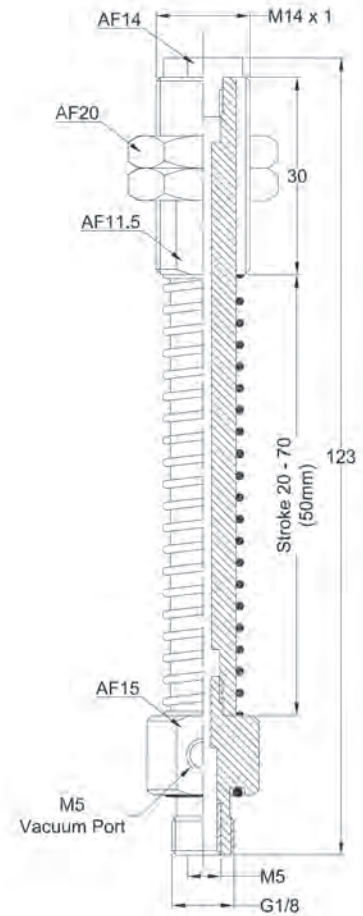
VFLC	EX	NR	14	25	M20		
Series	Spring Type		Non- Rotating		Cup Connection	Buffer Stroke (mm)	Bulkhead Thread
	EX	External		Rotates	M5	M5	
	IN	Internal	NR	Non- Rotating	18	G1/8	
					14	G1/4	
					38	G3/8	
					12	G1/2	



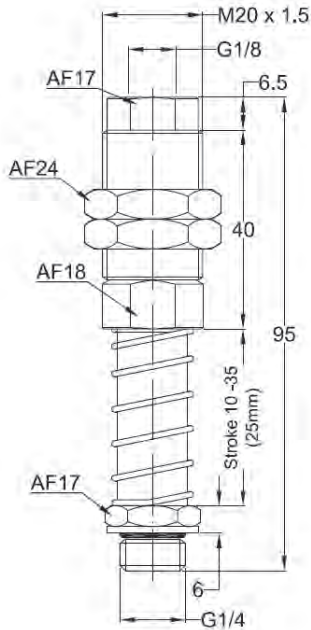
VFLCINM515M10



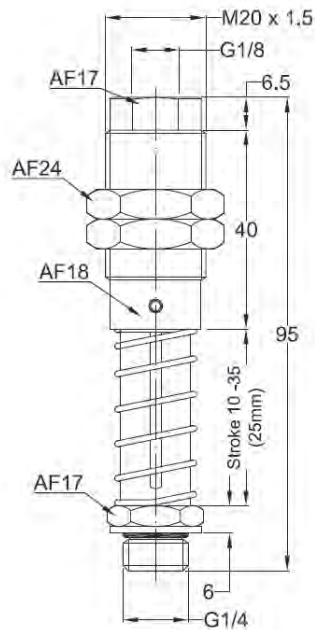
VFLCIN1820M16



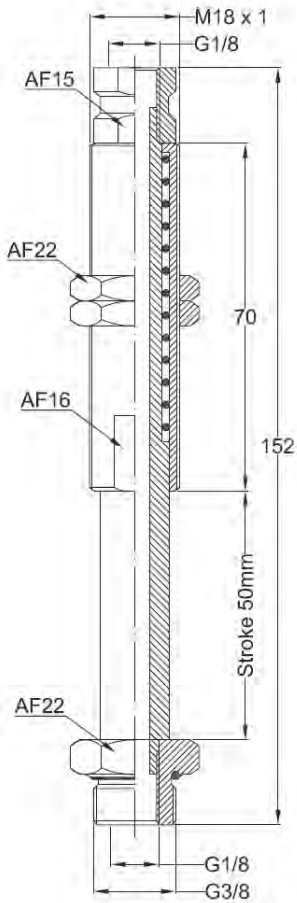
VFLCEX1850M14



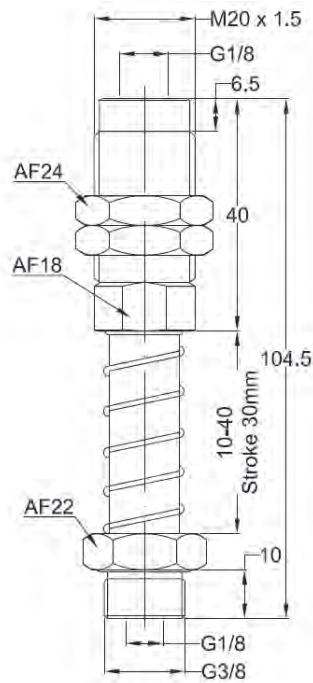
VFLCEX1425M20



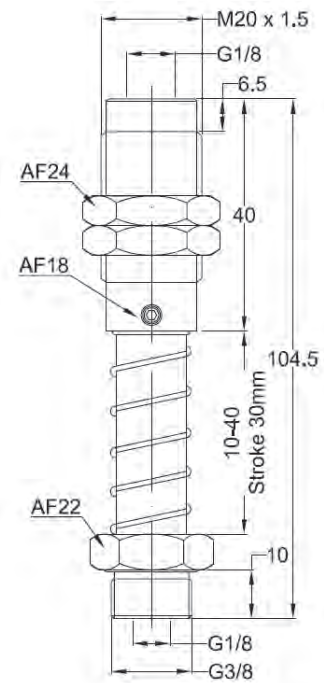
VFLCEXNR1425M20
(non rotating)



VFLCIN3850M18

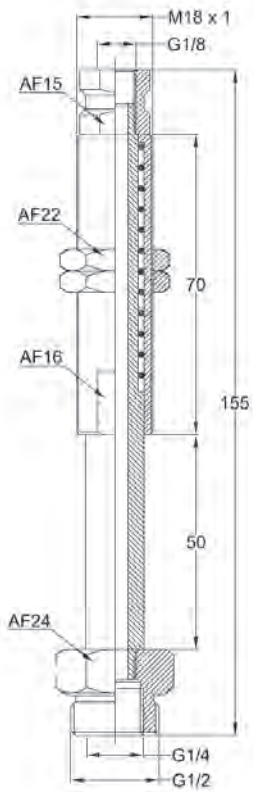


VFLCEX3830M20

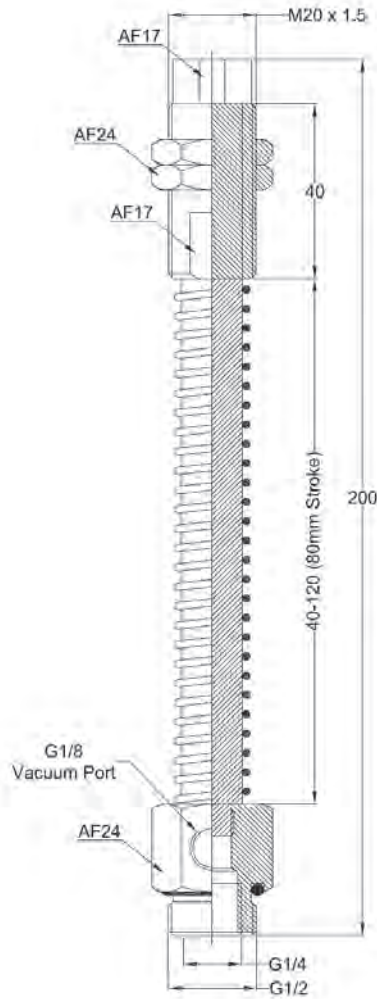


VFLCEXNR3830M20
(non-rotating)

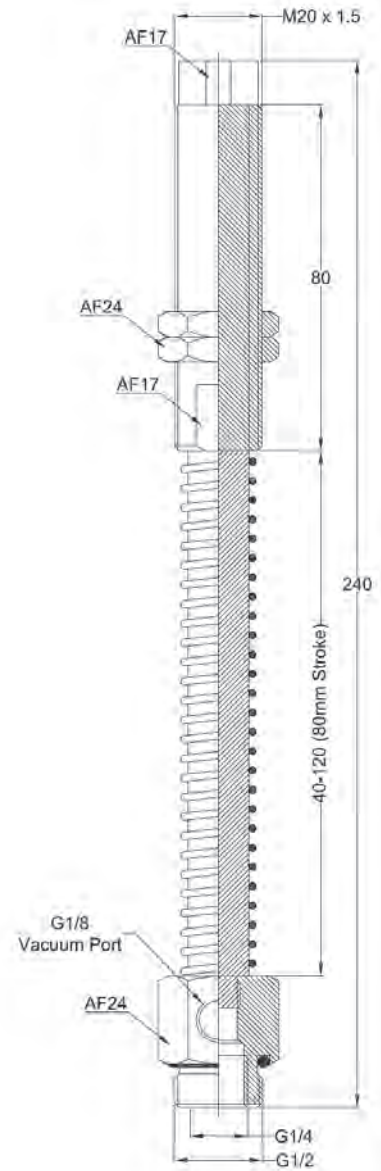
VACUUM CUP HOLDERS



VFLCIN1250M18



VFLCEX1280M20



VFLCEX1280M20-80