



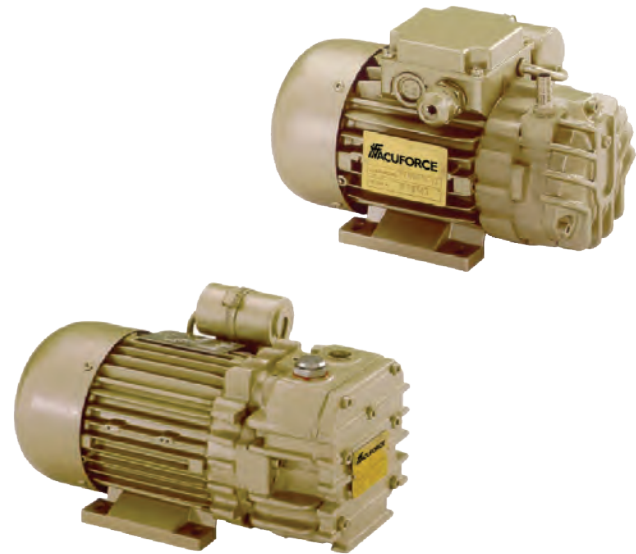
**VACUUMPUMPS**

# RVD OIL FREE VACUUM PUMPS



- Heavy duty construction
- Compact design, small footprint
- High-tech vane material provides long vane life
- Low noise level
- Low maintenance
- Air cooled design
- Direct drive

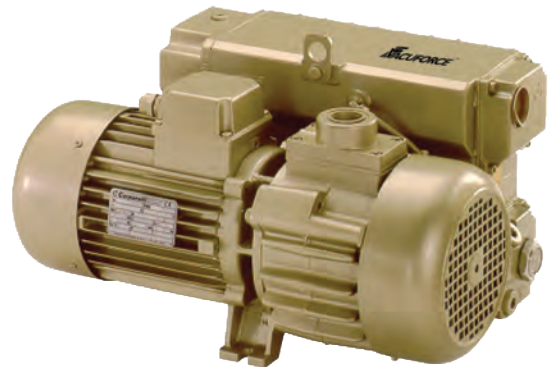
<b>RVD</b>	<b>007L</b>	<b>01</b>
Series	Model	MotorType
		01 110V 60Hz 1PH
		02 220V 60Hz 1PH
		03 208/230/460V 60Hz 3PH



Model	Capacity l/min / CFM	Final Pressure Torr (mmHg)	Motor Power (60Hz) HP	Noise Level dB(A)	Weight kg/lbs
RVD002L	56/2	90	0.25	62	5/11
RVD004L	119/4.2	90	0.4	62	8/18
RVD007L	198/7	90	0.6	65	15/34
RVD012L	339/12	90	1	65	30/65
RVD018L	509/18	90	1.25	68	30/65
RVD028L	792/28	90	2.5	72	40/88
RVD040L	1188/42	90	3	72	71/156
RVD060L	1580/56	90	5	74	74/162
RVD075L	2000/71	75	5	77	93/205
RVD100L	2830/100	75	7.5	78	96/211

- Heavy duty construction
- Compact design, small footprint
- High-tech vane material provides long vane life
- Low noise level
- Low maintenance
- Air cooled design
- Direct drive

<b>RVL</b>		<b>006H</b>		<b>01</b>		
Series	Model	MotorType				
		01	110V 60Hz 1PH			
		02	220V 60Hz 1PH			
		03	208/230/460V 60Hz 3PH			



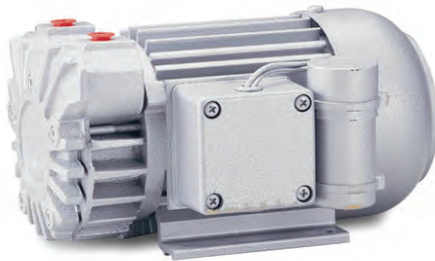
Model	Capacity l/min/CFM	Final Pressure Torr (mmHg)	Motor Power (60Hz) HP	Noise Level dB(A)	Weight kg/lbs
RVL002H	57/2	1.5	0.2	60	5.5/12
RVL003H	74/2.6		0.4		
RVL006H	158/5.6			62	10/22
RVL010H	240/8.5				
RVL013H	360/12.7		0.5	1.25	63
RVL020H	543/19	1.25		65	25/55
RVL030H	801/28	2		67	43/96
RVL050H	1288/45	3		69	44/98
RVL075H	2146/75	4		70	70/155
RVL110H	3033/106	5		72	80/176
RVL145H	4150/145	7.5		74	155/340
RVL215H	6150/215	10		76	164/361

# DV VANE PUMPS



- Oil free rotary vane vacuum pump
- Small footprint
- Ideal for OEM applications
- Single phase electric motor
- Maximum vacuum of 80Torr (27Hg)
- Quiet operation
- Flow rates up to 120l/min (4.2CFM)

<b>DV</b>	<b>7V</b>	<b>110</b>	
Series	Model	Motor Type	
		110	110V50 / 60Hz1PH
		220	220V50 / 60Hz1PH



**DV-3V & DV-5V**



**DV-4V**

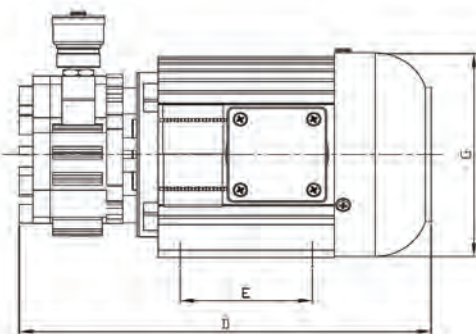
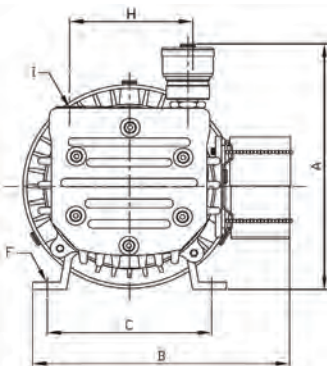
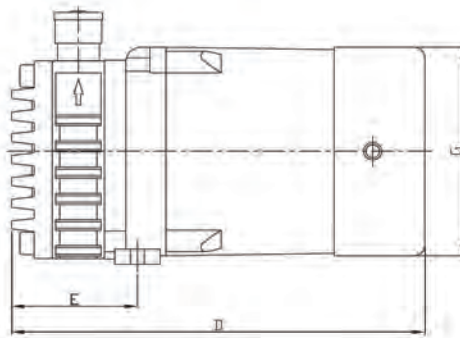
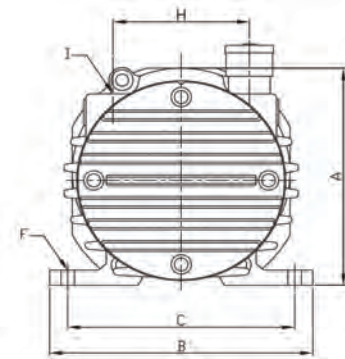
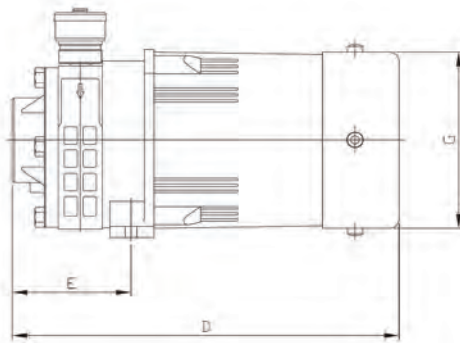
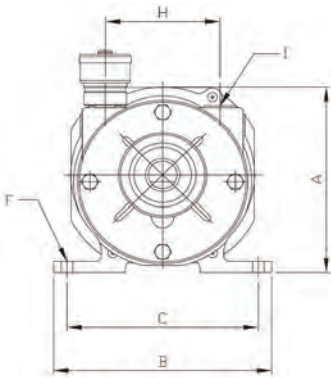
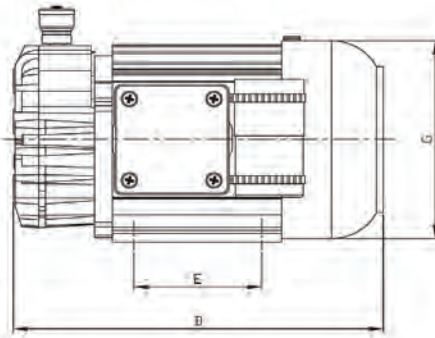
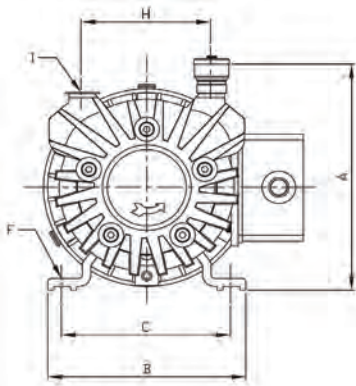


**DV-7V**



**DV-8V**

Model	Capacity l/min (50/60Hz)	Capacity CFM (50/60Hz)	MaxVacuum Torr/Hg	Power (W)	Noise Level dB(A) (50/60Hz)	Weight kg/lbs
DV-3V	57/70	2/2.4	80/26.4 @60Hz 90/27 @ 50Hz	250	56/58	6.5/14.3
DV-4V	91/104	3.2/3.7		180	62/65	6.0/13.2
DV-5V	100/120	3.5/4.2		400	58/60	6.5/14.3
DV-7V	91/104	3.2/3.7		180	62/65	6.0/13.2
DV-8V	100/120	3.5/4.2		400	60/62	11.5/25.3



## DIMENSIONS (mm)

	3V&5V	4V	7V	8V
A	135	100	175	
B	154	115	168	
C	100	100	112	
D	216	202	245	
E	80	62	90	
F	Ø7	Ø6	Ø7	
G	122	96	122	
H	68	60	82	
I	R1/8	R1/4	R3/8	

# JP DIAPHRAGM PUMPS

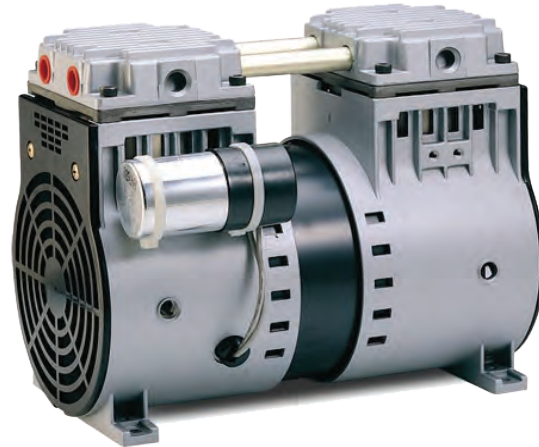


- Oil free operation
- Diaphragm type pump
- Single phase electric motor
- Maximum vacuum of -90.6kPa (27.1Hg)
- Quiet operation
- Flow rates up to 195l/min (7CFM)

<b>JP</b>	<b>40V</b>	<b>110</b>
Series	Model	Motor Type
		110   110V 50/60Hz 1PH
		220   220V 50/60Hz 1PH



**JP40V**

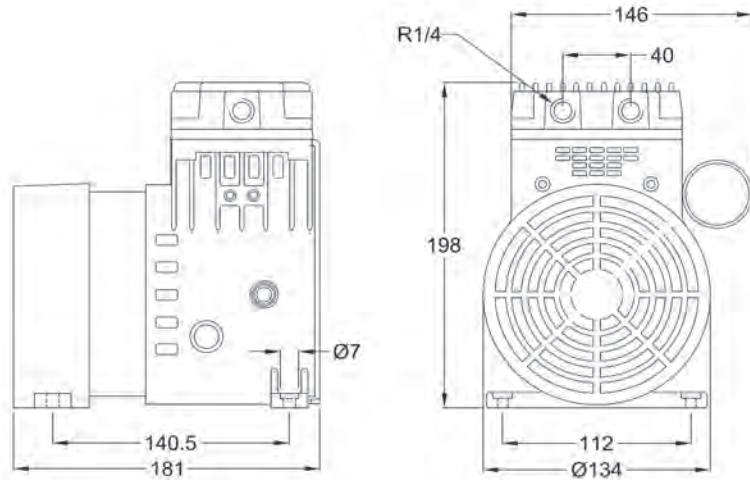


**JP-90 - 200**

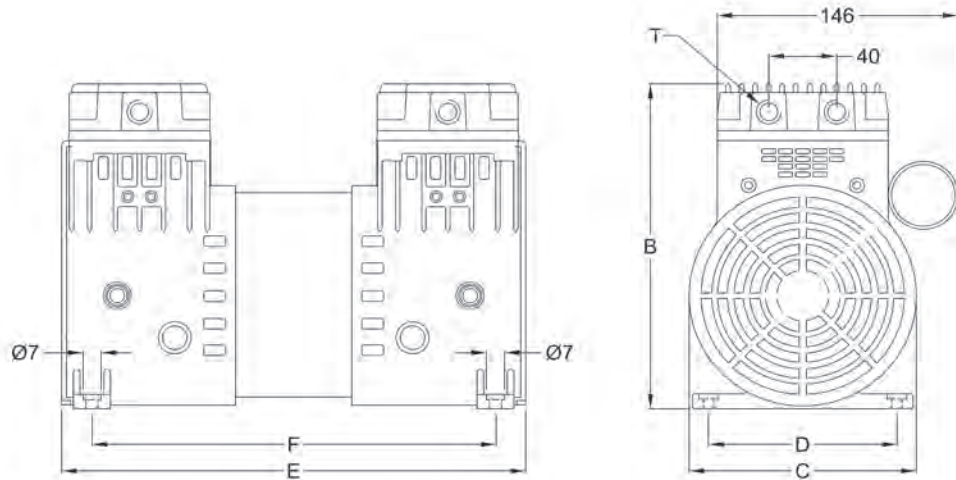
Model	Capacity l/min (50/60Hz)	Capacity CFM (50/60Hz)	MaxVacuum -KPa/Hg	Power (W)	Noise Level dB(A)	Weight kg/lb
JP-40V	47/55	1.7/1.9	-90.6/27.1	250	56	8.4/18.5
JP-90V	81/90	2.9/3.2	-93.3/27.9	300		
JP-120V	106/120	3.7/4.2		380		
JP-140V	119/143	4.2/5.1		450		
JP-180V	150/180	5.3/6.4		480		
JP-200V	165/195	5.8/6.9		580	59	11.5/25
JP-90H	58/66	2.0/2.3	-98.6/29.5	300	56	8.4/18.5
JP-120H	79/90	2.8/3.2		360		
JP-140H	92/105	3.3/3.7		450		
JP-180H	90/98	3.2/3.5		460	61	11.5/25
JP-200H	100/108	3.5/3.8		560		

## DIMENSIONS (mm)

### JP40V



### JP-90 - 200

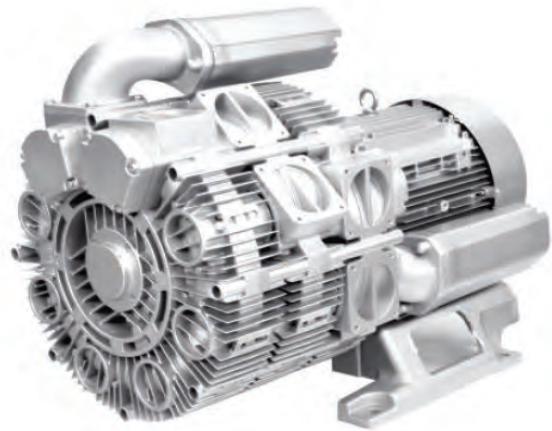


Model	A	B	C	D	E	F	T						
JP-90V	146	198	$\text{Ø}134$	112	240	203.5	R1 / 4						
JP-120V													
JP-140V													
JP-180V		240	$\text{Ø}140$	118	275	223.5	R3 / 8						
JP-200V													
JP-90H		198	$\text{Ø}134$	112	240	203.5	R1 / 4						
JP-120H													
JP-140H													
JP-180H								240	$\text{Ø}140$	118	175	223.5	R3 / 8
JP-200H													

## 3RB & 4RB BLOWERS

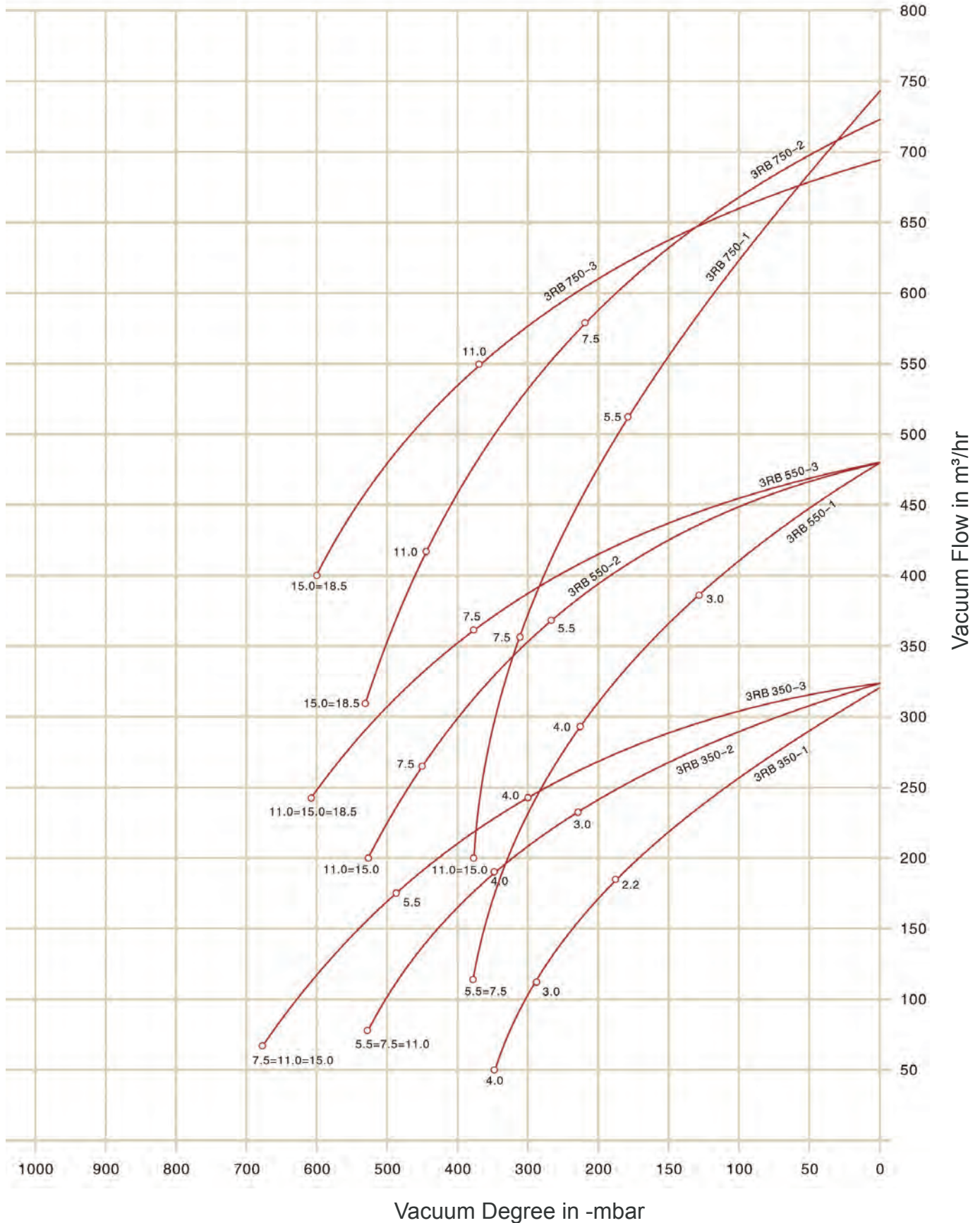


- Oil free operation
- Regenerative type blowers
- Single and three phase models
- Maximum vacuum flow 880m<sup>3</sup>/hr / 520CFM @ 60Hz
- Maximum vacuum level -680mbar / 20"Hg





Performance Curves @ 50Hz



# 3RB 60HZ BLOWER PERFORMANCE CURVES



Performance Curves @ 60Hz

