

SFF FLAT CUPS



The SFF series of vacuum cups are designed to offer the vacuum user very high speed lateral transfer especially on wet or oily surfaces such as steel stamped parts. The SFF cups are also suitable for shear plane applications where the part is being turned through 90 degrees. The cups include an aluminum male or female threaded fitting for machinery and vacuum source connection.

These vacuum cups are available 45 and 60 Durometer NBR.



APPLICATIONS

- Automotive steel stamping
- Glass handling
- Plywood transfer
- Handling of oily steel surfaces
- Concave and convex surfaces
- Large box & carton handling

SFF	80	N	60	G3/8F
Series	Diameter (mm)	Material	Durometer	Mounting Thread
	30	N NBR	45	G1/4F
	40		60	G1/4M
	50			G3/8F
	60			3/8NPSF
	80			
	100			

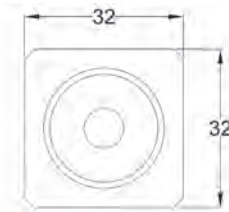
Part number example SFF80N-60-G3/8F
80mm diameter flat cup 60 Durometer NBR with G3/8 female thread

LEVEL COMPENSATORS

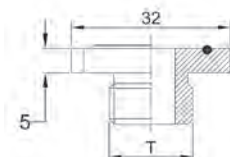
Refer to page 1.32 for suitable level compensators for this vacuum cup range.



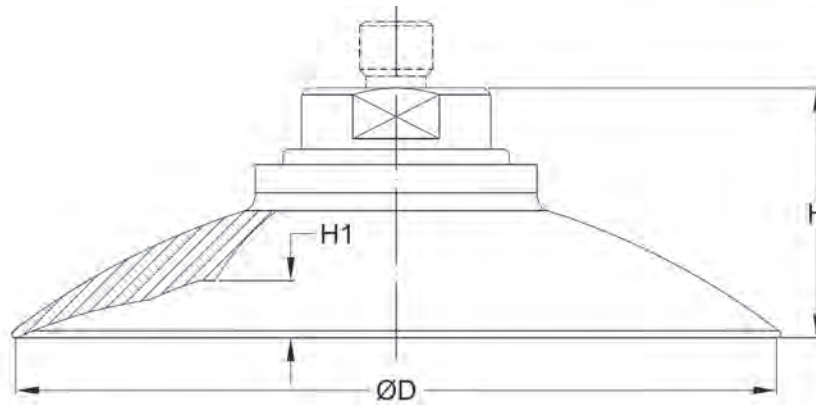
QUICK RELEASE FITTINGS



Model	T
QRG38	G3/8
QRN38	3/8NPSF



DIMENSIONS (mm)



Model	ØD	H	H1
SFF30N*-G1/4F	32	20	2.7
SFF30N*-G1/4M		34	
SFF30N*-G3/8F			
SFF30N*-3/8NPSF			
SFF40N*-G1/4F	42	22	3.7
SFF40N*-G1/4M		36	
SFF40N*-G3/8F			
SFF40N*-3/8NPSF			
SFF50N*-G1/4F	52	42	4.7
SFF50N*-G1/4M		28	
SFF50N*-G3/8F			
SFF50N*-3/8NPSF			

* indicates Durometer choice

Model	ØD	H	H1
SFF60N*-G1/4F	62	45	6
SFF60N*-G1/4M		31	
SFF60N*-G3/8F			
SFF60N*-3/8NPSF			
SFF80N*-G1/4F	82	45	7.5
SFF80N*-G1/4M		31	
SFF80N*-G3/8F			
SFF80N*-3/8NPSF			
SFF100N*-G1/4F	102	50	9
SFF100N*-G1/4M		36	
SFF100N*-G3/8F			
SFF100N*-3/8NPSF			

* indicates Durometer choice