

# SOF OVAL CUP



The SOF series of vacuum cups are designed to offer the vacuum user a cup that can pick up on narrow surfaces. The cups include an aluminum male or female threaded fitting for machinery and vacuum source connection.

This cup is available in Nitrile rubber compound in both 45 and 60 Durometer. Ideal for handling pressed steel sheet and glass products.



Series	Model	L x W (mm)	Durometer	Thread
SOF	20X80	20 X 80	45	G1/4F
	30X90	30 x 90	60	G1/4M
	40X110	40 x 110		G3/8F
				3/8NPSF

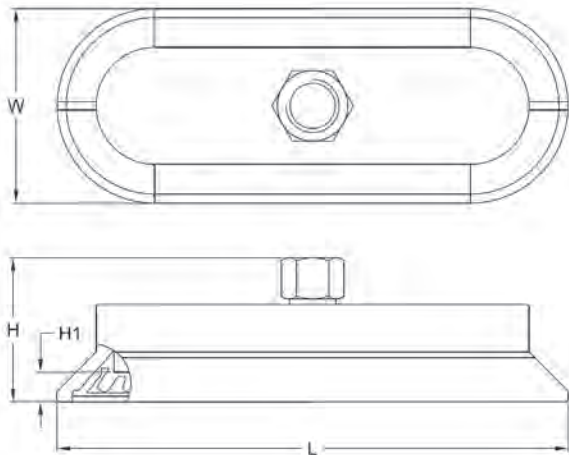
Part number example SOF30X90N-60-G3/8F  
30mm x 90mm Oval Cup 60 Durometer NBR with G3/8 female thread

## LEVEL COMPENSATORS

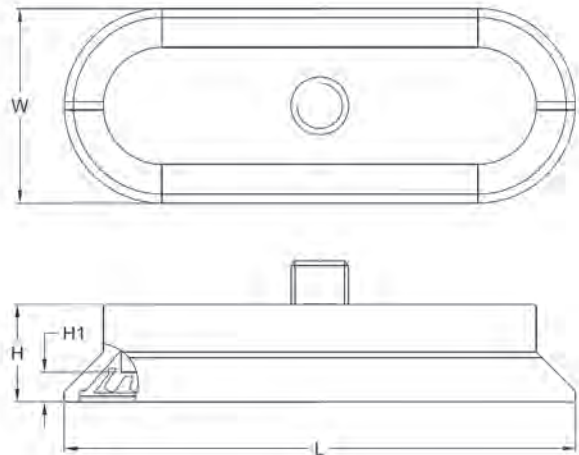
Refer to page 1.32 for suitable NON-ROTATING level compensators for this vacuum cup range.



## DIMENSIONS (mm)



FEMALE THREADED MODELS



MALE THREADED MODELS

Model	SIZE W x L (mm)	H	H1
SOF20X80N*-G1/4F	20 x 80	30	5
SOF20X80N*-G1/4M		17	
SOF20X80N*-G3/8F		30	
SOF20X80N*-3/8NPSF		30	
SOF30X90N*-G1/4F	30 x 90	30	
SOF30X90N*-G1/4M		17	
SOF30X90N*-G3/8F		30	
SOF30X90N*-3/8NPSF		30	

\* indicates Durometer choice

Model	SIZE W x L (mm)	H	H1
SOF40X110N*-G1/4F	40 x 110	36	6
SOF40X110N*-G1/4M		23	
SOF40X110N*-G3/8F		36	
SOF40X110N*-3/8NPSF		36	
SOF40X110N*-3/8NPSF		36	

\* indicates Durometer choice