

# STC SINGLE BELLOWS TRACTION CUPS



The STC series of vacuum cups are designed to offer the vacuum user a cup that can pick up on angled surfaces and adapt to products such as formed sheet steel that may have a tight radius. The cups include an aluminum male or female threaded fitting for machinery and vacuum source connection.

This cup is available in Nitrile rubber in both 45 and 60 Durometer. Ideal for handling pressed steel sheet and glass products. The single bellows design offers slight vertical movement when vacuum is applied independent of the machinery which aids in sheet separation and also compliance on concave and convex surfaces.



## APPLICATIONS

- Automotive steel stamping
- Glass handling
- Plywood transfer
- Handling of oily steel surfaces
- Concave and convex surfaces
- Large box & carton handling

STC		100N		45	G3/8F
Series	Model	Diameter (mm)	Durometer	Thread	
	30N	30	45	G1/4F	
	40N	40	60	G1/4M	
	50N	50		G3/8F	
	60N	60		G3/8M	
	80N	80		3/8NPSF	
	100N	100			

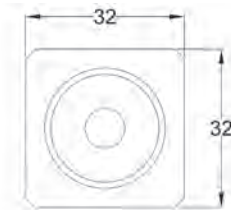
Part number example STC100N-60-G3/8F  
100mm diameter bellows vacuum cup in 60 durometer NBR with G3/8 female thread connection port.

## LEVEL COMPENSATORS

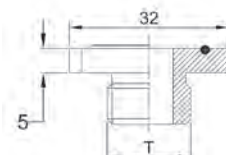
Refer to page 1.32 for suitable level compensators for this vacuum cup range.



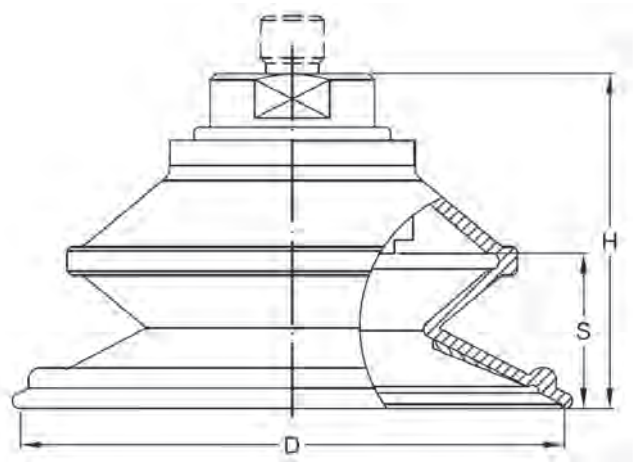
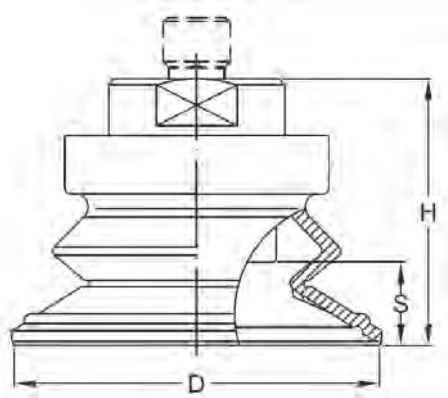
## QUICK RELEASE FITTINGS



Model	T
QRG38	G3/8
QRN38	3/8NPSF



## DIMENSIONS (mm)



Model	ØD	H	S
STC30N*-G1/4F	30	28	9
STC30N*-G1/4M			
STC30N*-G3/8F		42	
STC30N*-3/8NPSF			
STC40N*-G1/4F	40	28	10
STC40N*-G1/4M			
STC40N*-G3/8F		42	
STC40N*-3/8NPSF			
STC50N*-G1/4F	50	51	11.5
STC50N*-G1/4M			
STC50N*-G3/8F		37	
STC50N*-3/8NPSF			

\* add cup Durometer code

Model	ØD	H	S
STC60N*-G1/4F	60	55	14.5
STC60N*-G1/4M			
STC60N*-G3/8F		41	
STC60N*-3/8NPSF			
STC80N*-G1/4F	80	64	22.5
STC80N*-G1/4M			
STC80N*-G3/8F		50	
STC80N*-3/8NPSF			
STC100N*-G1/4F	100	70	25
STC100N*-G1/4M			
STC100N*-G3/8F		56	
STC100N*-3/8NPSF			

\* add cup Durometer code