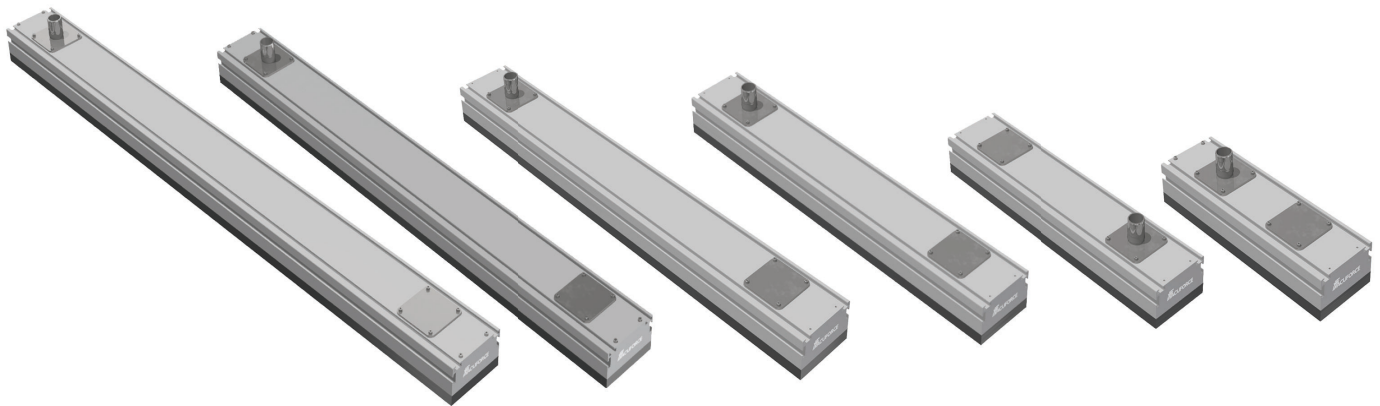




Mono Gripper

**UNIVERSAL VACUUM TOOL
TECHNOLOGY**



MonoGripper



- Universal vacuum gripper
- Multiple vacuum port location for blower connection
- Grips the product even when only partially covered
- Standard 130mm width with varying lengths available
- Key-way mounting channels
- Lengths from 400mm to 1400mm
- Supplied as standard with single vacuum port. Dual vacuum ports available



Gripper Nomenclature

TXM	130	X	400	-	A5	-	V	
Series	Width (mm)		Length (mm)		5 Hole Row		Valve	
			400	400mm			V	Yes
			600	600mm				No
			800	800mm				
			1000	1000mm				
			1200	1200mm				
			1400	1400mm				

The valve option offers a complete isolation of each foam orifice if the product is not sealed against it resulting in a higher vacuum on the remaining foam holes in contact.

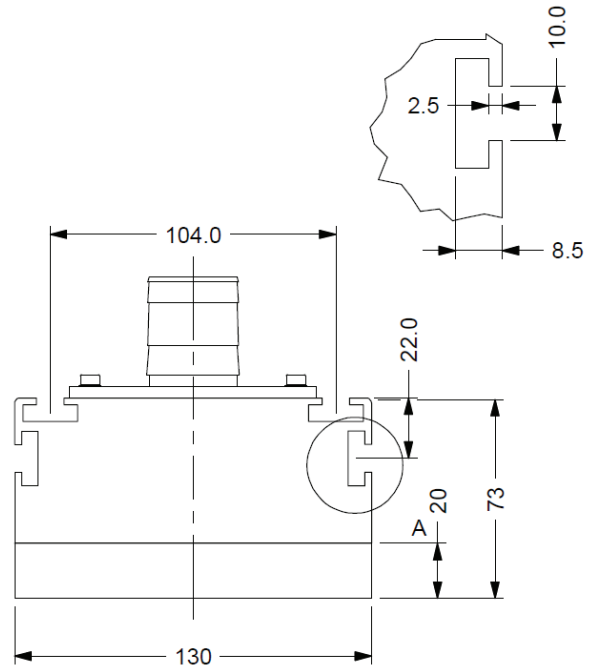
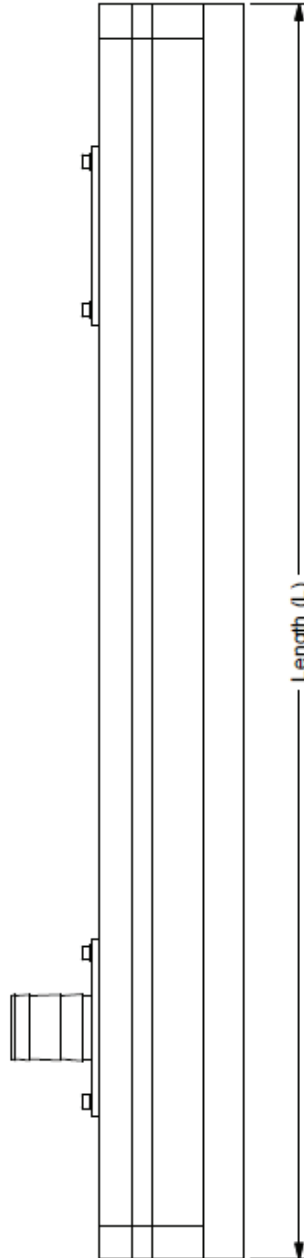
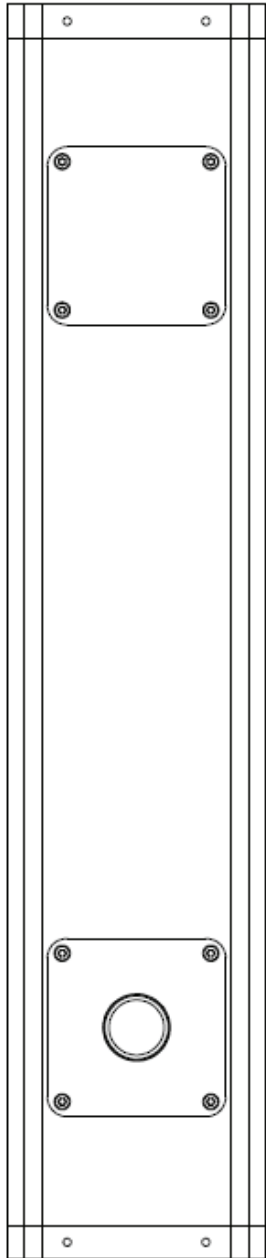
Specifications

TXM	130	X	400			
Series	Width (mm)		Length (mm)		Weight (lbs)	Grip Force @ 18inHg
			400	400mm	400	46lbs
			600	600mm	600	70lbs
			800	800mm	800	92lbs
			1000	1000mm	1000	118lbs
			1200	1200mm	1200	145lbs
			1400	1400mm	1400	167lbs

Spare Foam Seal Nomenclature

TXC	400	-	A5
Series	Length		5 Hole Row
	300FM	300mm	
	400FM	400mm	
	600FM	600mm	
	800FM	800mm	
	1000FM	1000mm	
	1200FM	1200mm	
	1400FM	1400mm	

DIMENSIONS (mm)



Model	Vacuum Connection (mm)	L
TXM130X400	32	434
TXM130X600		634
TXM130X800		834
TXM130X1000	62	1034
TXM130X1200		1234
TXM130X1400		1434

Model	Vacuum Cup Holes
TXM130X400	65
TXM130X600	98
TXM130X800	130
TXM130X1000	165
TXM130X1200	202
TXM130X1400	230