

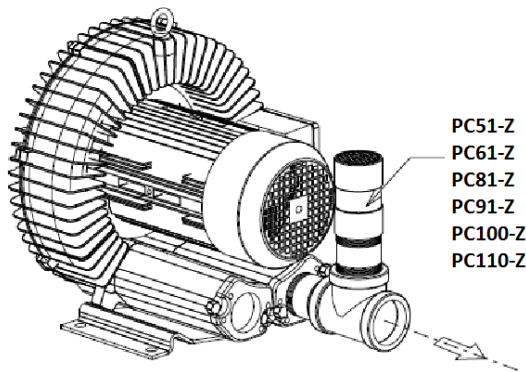


PC / VC SERIES:

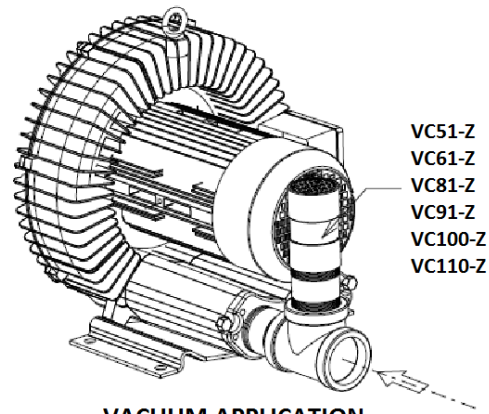
A relief valve functions to protect the blower motor from excessive system pressure that can result from line restriction. Positioning is at the blower outlet for use in pressure systems and blower inlet for vacuum service.

The design features a stainless steel spring that is tensioned to set actuation. Valves can be factory set or customer field adjusted based on the maximum operating pressure or vacuum level of the selected blower.

Material of construction is durable carbon steel with protective zinc plated finish. These valves are suitable for air and other non-corrosive services.



PRESSURE APPLICATION



VACUUM APPLICATION

Model No. (Pressure)	Model No. (Vacuum)	Connection FNPT	Dimensions - inches				Blower Model Reference	Capacity SCFM
			A	B	C	D		
PC51-Z	VC51-Z	1 1/4"	6 1/8	2 1/8	2	2 1/16	3BA7, 3BA1200/1300/1310/1330	0-60
PC61-Z	VC61-Z	1 1/2"	6 1/8	2 1/8	2	2 1/16	3BA1400/1410/1430/1500/1510/1530	60-200
PC81-Z	VC81-Z	2"	7 3/8	2 3/4	2 3/8	2 1/2	3BA1600/1610/1630	200-350
PC91-Z	VC91-Z	3"	7 3/8	3 1/4	2 1/2	2 1/2	3BA1800/1810/1830	350-750
PC100-Z	VC100-Z	4"	6 1/2	3 11/16	2 7/16	2 1/2	3BA1900/1910/1930	750-1500
PC110-Z	VC110-Z	5"	6 1/2	3 11/16	2 7/16	2 1/2	3BA1943	750-1500

Dimension tolerance $\pm 1/4"$

